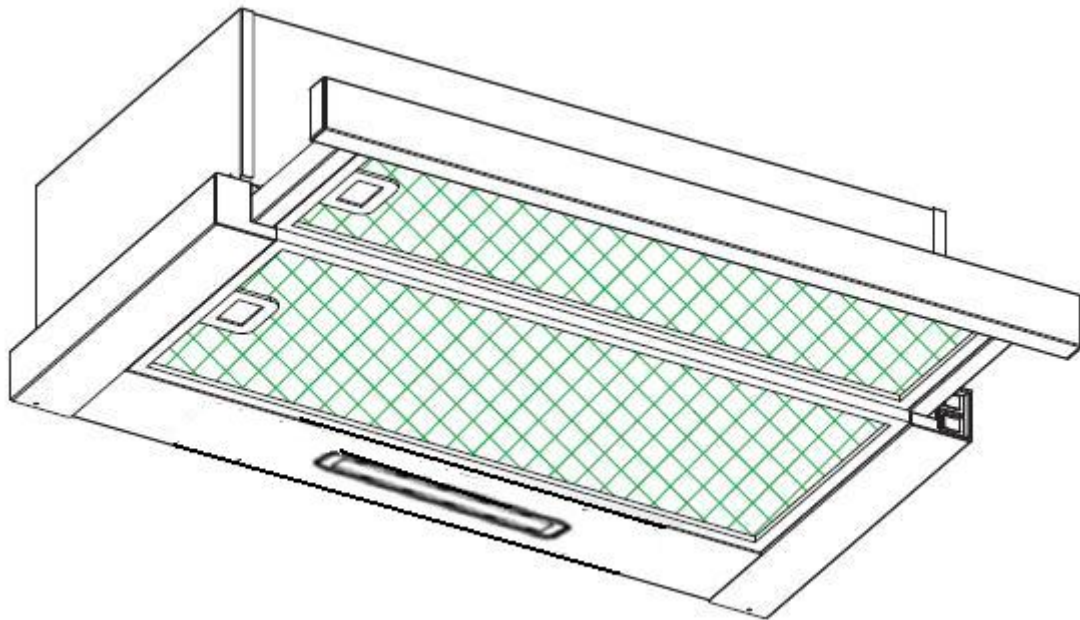


# CBT6130/3X

## Cooker Hood

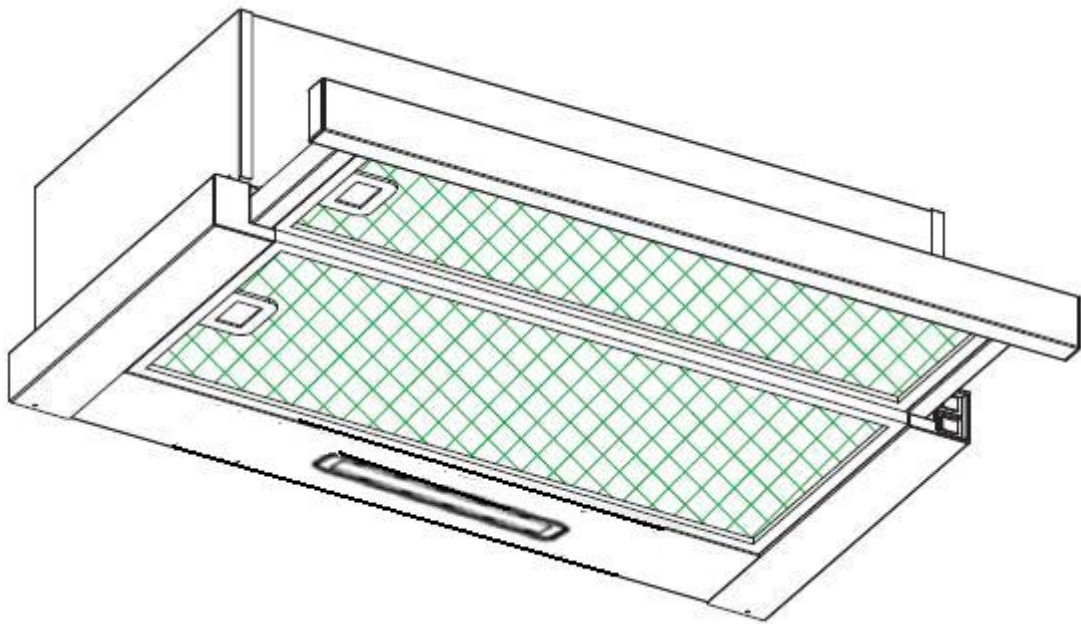
### Instruction Manual



ENGLISH(EN)-----	PAGE 001
FRENCH (FR)-----	PAGE 013
MAGYAR (HU)-----	026. OLDAL
HRVATSKI (HR)-----	STRANICA 038
PORTUGUÊS (PT)-----	PÁGINA 050
DEUTSCH (DE)-----	SEITE 062
ITALIANO (IT)-----	PAGINA 074

# Cooker Hood

## Instruction Manual



# Content

1.....	Safety instructions
2.....	Installation
3.....	Start using your cooker hood
4.....	Troubleshooting
5.....	Maintenance and cleaning
6.....	Environment protection

## SAFETY INSTRUCTIONS

This manual explains the proper installation and use of your cooker hood, please read it carefully before using even if you are familiar with the product.

The manual should be kept in a safe place for future reference.

These instructions shall also be available in an alternative format, e.g. on a website or on request from the user in a format such as a DVD.

### Never to do:

- Do not try to use the cooker hood without the grease filters or if the filters are excessively greasy!
- Do not install above a cooker with a high level grill.
- Do not leave frying pans unattended during use because overheated fats or oils might catch fire.
- Never leave naked flames under the cooker hood.



- If the cooker hood is damaged, do not attempt to use.
- Do not flambé under the cooker hood.
- CAUTION: Accessible parts may become hot when used with cooking appliances.
- The minimum distance between the supporting surface for the cooking vessels on the hob and the lowest part of the cooker hood. (When the cooker hood is located above a gas appliance, this distance shall be at least 65 cm)
- The air must not be discharged into a flue that is used for exhausting fumes from appliances burning gas or other fuels.



### Always to do:

- Important! Always switch off the electricity supply at the mains during installation and maintenance such as light bulb replacement.
- The cooker hood must be installed in accordance with the installation instructions and all measurements followed.
- All installation work must be carried out by a competent person or qualified electrician.
- Please dispose of the packing material carefully. Children are vulnerable to it.
- Pay attention to the sharp edges inside the cooker hood especially during installation and cleaning.
- When the cooker hood is located above a gas appliance, the minimum distance between the supporting surface for the cooking vessels on the hob and the lowest part of the cooker hood that distance must be:  
Gas cookers: 75 cm  
Electric cookers: 65 cm  
Coal or oil cookers: 75 cm
- Make sure the ducting has no bends sharper than 90 degrees as this will reduce the efficiency of the cooker hood.
- Warning: Failure to install the screws or fixing device in accordance with these instructions may result in electrical hazards
- Warning: Before obtaining access to terminals, all supply circuits must be disconnected.

## Always to do:

- Always put lids on pots and pans when cooking on a gas cooker.
- When in extraction mode, air in the room is being removed by the cooker hood. Please make sure that proper ventilation measures are being observed. The cooker hood removes odours from room but not steam.
- Cooker hood is for domestic use only.



- If the supply cord is damaged, it must be replaced by the manufacturer, its service agent or similarly qualified persons in order to avoid a hazard.
- This appliance can be used by children aged from 8 years and above and persons with reduced physical, sensory or mental capabilities or lack of experience and knowledge if they have been given supervision or instruction concerning use of the appliance in a safe way and understand the hazards involved. Children shall not play with the appliance. Cleaning and user maintenance shall not be made by children without supervision.



- **Warning:** Before obtaining access to terminals, all supply circuits must be disconnected.

## Always to do:

- **Caution:** The appliance and its accessible parts can become hot during operation. Be careful to avoid touching the heating elements. Children younger than 8 years old should stay away unless they are under permanent supervision.
- There shall be adequate ventilation of the room when the cooker hood is used at the same time as appliances burning gas or other fuels.
- There is a fire risk if cleaning is not carried out in accordance with the instructions
- Regulations concerning the discharge of air have to be fulfilled.
- Clean your appliance periodically by following the method given in the chapter MAINTENANCE.
- For safety reason, please use only the same size of fixing or mounting screw which are recommended in this instruction manual.
- Regarding the details about the method and frequency of cleaning, please refer to maintenance and cleaning section in the instruction manual.
- Cleaning and user maintenance shall not be made by children without supervision.
- When the cooker hood and appliances supplied with energy other than electricity are simultaneously in operation, the negative pressure in the room must not exceed 4 Pa (4 x 10<sup>-5</sup> bar).
- **WARNING:** Danger of fire: do not store items on the cooking surfaces.
- A steam cleaner is not to be used.
- **NEVER** try to extinguish a fire with water, but switch off the appliance and then cover flame e.g. with a lid or a fire blanket.

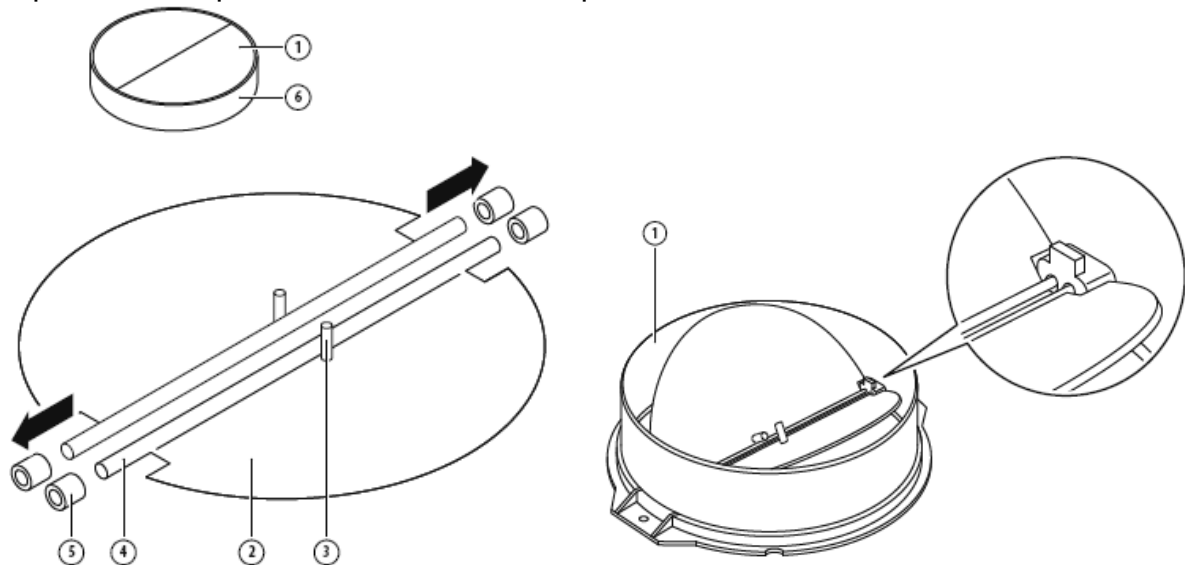
## **INSTALLATION (VENT OUTSIDE)**

### **MOUNTING OF THE V-FLAP ( Optional )**

If the cooker hood does not have an assembled V-flap 1, you should mount the half-parts to its body. The images only show an example of how to mount the V-flap, the outlet may be various according to different models and configuration.

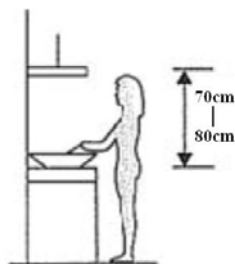
To mount the V-flap 1 you should:

- Mount two half-parts 2 into the body 6
- a pin 3 should be top oriented;
- the axis 4 should be inserted in the holes 5 on body;
- repeat all the operations for the 2nd half-part

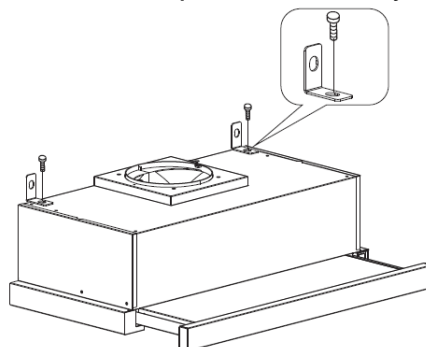


### **INSTALLATION (Wall Mounting)**

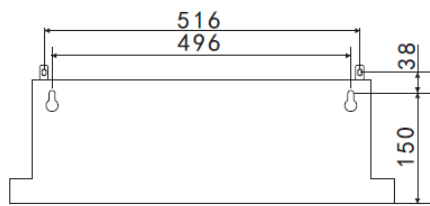
1. Decide the location of the holes for fixing the cooker hood.



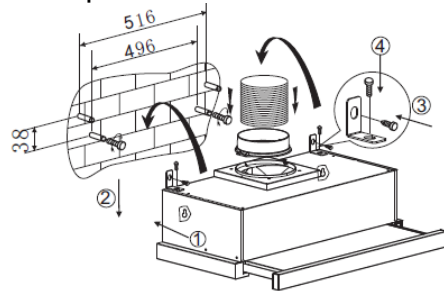
2. Install the L-shaped bracket on the top of the hood by two screws (4mm x 10mm)



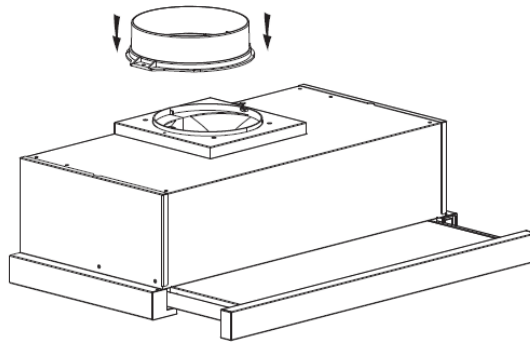
- The cooker hood is wall mounted by 4 screws (4mm x 30mm) and wall plugs. Mount the cooker hood on the wall on the back of the cooker hood by 2 screws (4mm x 30mm) and wall plugs. Then fix the cooker hood on the wall by 2 screws (4mm x 30mm) and wall plugs through the small L-shaped bracket.



60CM

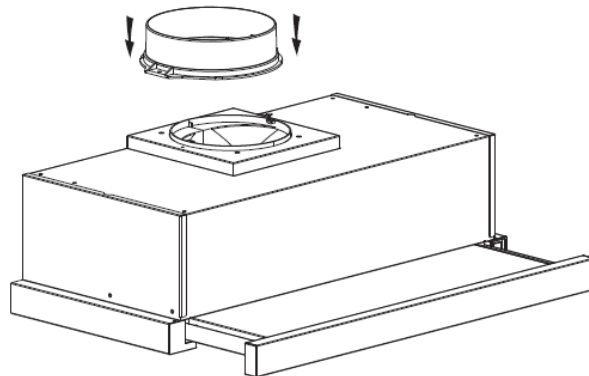


- Fix the one-way-valve to the air outlet of the cooker hood.

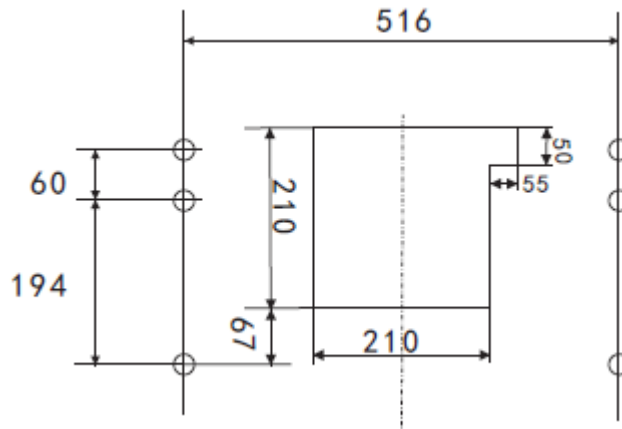


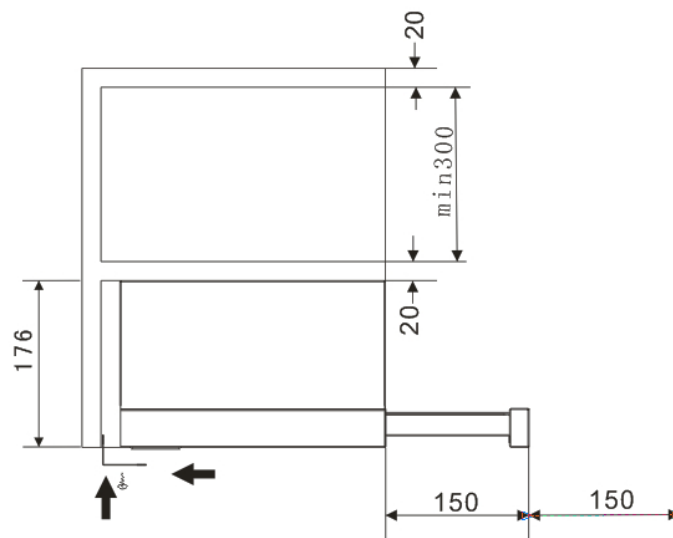
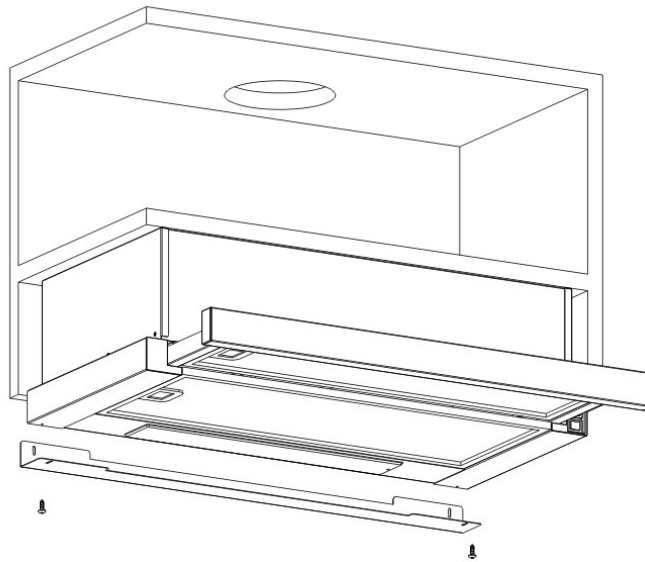
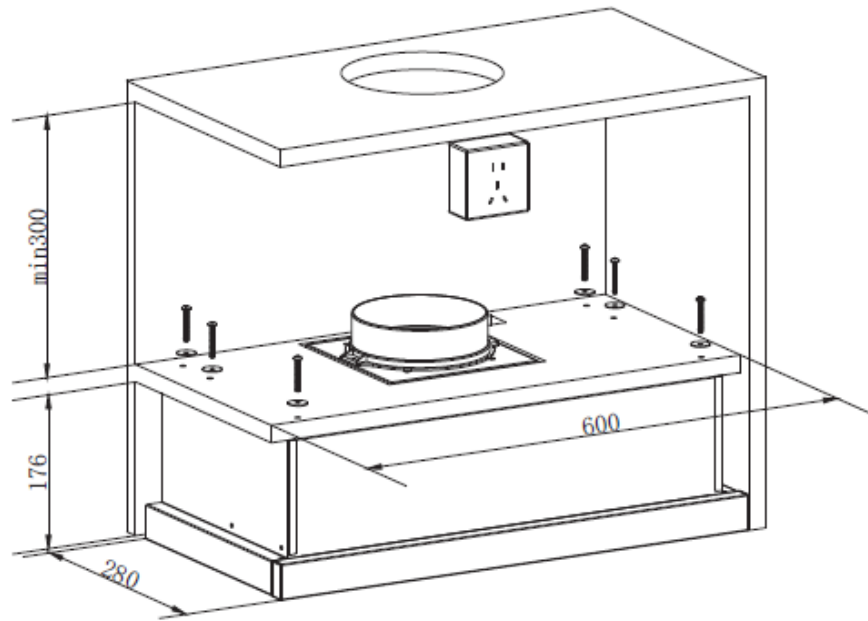
## INSTALLATION (Cabinet Mounting)

- Fix the one-way-valve to the air outlet of the cooker hood.

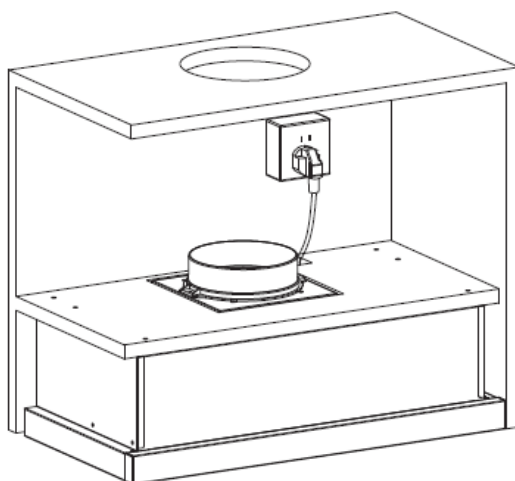


- Mount the cooker hood on the cabinet by 6 screws (4x35mm) and flat washers.








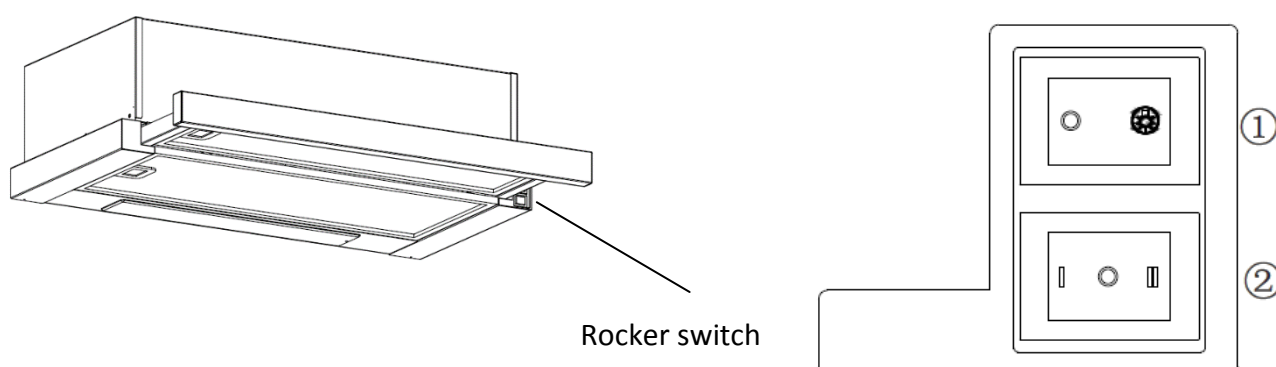


If there is gap between the wall and the cooker hood, you may install the L-shaped bracket on the bottom of the hood by two screws (3 x 12mm).  
 The installation of the L-shaped bracket is optional.  
 Note: The expansion pipe is not included in the product.

<p><b>WARNING:</b></p> 	<ul style="list-style-type: none"> <li>➤ For safety reason, please use only the same size of fixing or mounting screw which are recommended in this instruction manual.</li> <li>➤ Failure to install the screws or fixing device in accordance with these instructions may result in electrical hazards.</li> </ul>
---	--

## Start Using Your Cooker Hood

### Rocker switch



1. Insert the power plug into the socket.
2. Push switch ① to , the lamp will be on; push switch ① to "0" , the lamp will be off.

3. Push the switch ② into "I, II" , the motor will be on "low, high" two speeds, push into "0" , the motor will be off.
4. The power will be connected when pull out the front panel. Conversely, the power will be automatically disconnected.

## **TROUBLESHOOTING**

<b>Fault</b>	<b>Possible Cause</b>	<b>Solution</b>
Light on, but motor does not work	Fan switch turned off	Select a fan switch position.
	Fan switch failed	Contact service center.
	Motor failed	Contact service center.
Light does not work, motor does not work	House fuses blown	Reset/Replace fuses.
	Power cord loose or disconnected	Refit cord to power outlet. Switch power outlet on.
Oil leakage	One way valve and the outlet are not tightly sealed	Take down the one way valve and seal with sealant.
	Leakage from the connection of chimney and cover	Take chimney down and seal.
Lights not working	Broken/Faulty globes	Replace globes as per this instruction.
Insufficient suction	The distance between the cooker hood and the gas top is too far	Refit the cooker hood to the correct distance.
The Cooker hood inclines	The fixing screw not tight enough	Tighten the hanging screw and make it horizontal.

### **NOTE:**

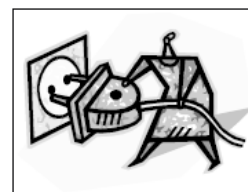


Any electrical repairs to this appliance must conform to your local, state and federal laws. Please contact the service centre if in any doubt before undertaking any of the above. Always disconnect the unit from the power source when opening the unit.

## **MAINTENANCE AND CLEANING**

### **Caution:**

- Before maintenance or cleaning is carried out, the cooker hood should be disconnected from the main power supply. Ensure that the cooker hood is switched off at the wall socket and the plug removed.



- External surfaces are susceptible to scratches and abrasions, so please follow the cleaning instructions to ensure the best possible result is achieved without damage.

## GENERAL

Cleaning and maintenance should be carried out with the appliance cold especially when cleaning. Avoid leaving alkaline or acid substances (lemon juice, vinegar etc.) on the surfaces.

## STAINLESS STEEL

The stainless steel must be cleaned regularly (e.g. weekly) to ensure long life expectancy. Dry with a clean soft cloth. A specialized stainless steel cleaning fluid may be used.

### NOTE:

Ensure that wiping is done along with the grain of the stainless steel to prevent any unsightly crisscross scratching patterns from appearing.

## CONTROL PANEL SURFACE

The inlay control panel can be cleaned using warm soapy water. Ensure the cloth is clean and well wrung before cleaning. Use a dry soft cloth to remove any excess moisture left after cleaning.

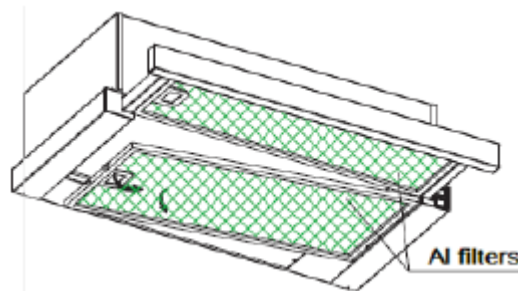
## Important

Using neutral detergents and avoid using harsh cleaning chemicals, strong household detergents or products containing abrasives, as this will affect the appliance appearance and potentially remove any printing of artwork on the control panel and will void manufacturer's warranty.

## GREASE MESH FILTERS

The mesh filters can be cleaned by hand. Soak them for about 3 minutes in water with a grease-loosening detergent then brush it gently with a soft brush. Please do not apply too much pressure, avoid to damage it. (Leave to dry naturally out of direct sunlight)

Filters should be washed separately to crockery and kitchen utensils. It is advisable not to use rinse aid.



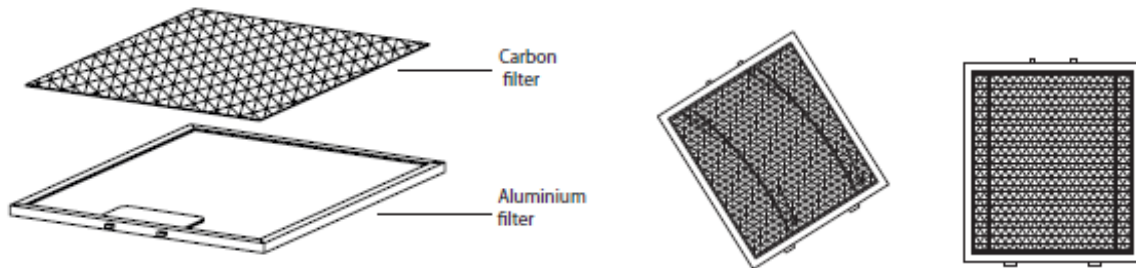
## INSTALLING GREASE MESH FILTERS

- To install filters for the following four steps .
  - Angle the filter into slots at the back of the hood.
  - Push the button on handle of the filter.
  - Release the handle once the filter fits into a resting position.
  - Repeat to install all filters.

## CARBON FILTER

Activated carbon filter can be used to trap odors. Normally the activated carbon filter should be changed at three or six months according to your cooking habit. The installation procedure of activated carbon filter is as below.


1. Put the carbon filter on the back side of the aluminium filter.
2. Insert the steel wire into the frame of the aluminium filter, one on each side. You need to bend it to insert into the other end of the frame.
3. Make sure the steel wire fix the carbon filter onto the aluminium filter.



### NOTE:

- Make sure the filter is securely locked. Otherwise, it would loosen and cause dangerous.
- When activated carbon filter attached, the suction power will be lowered.

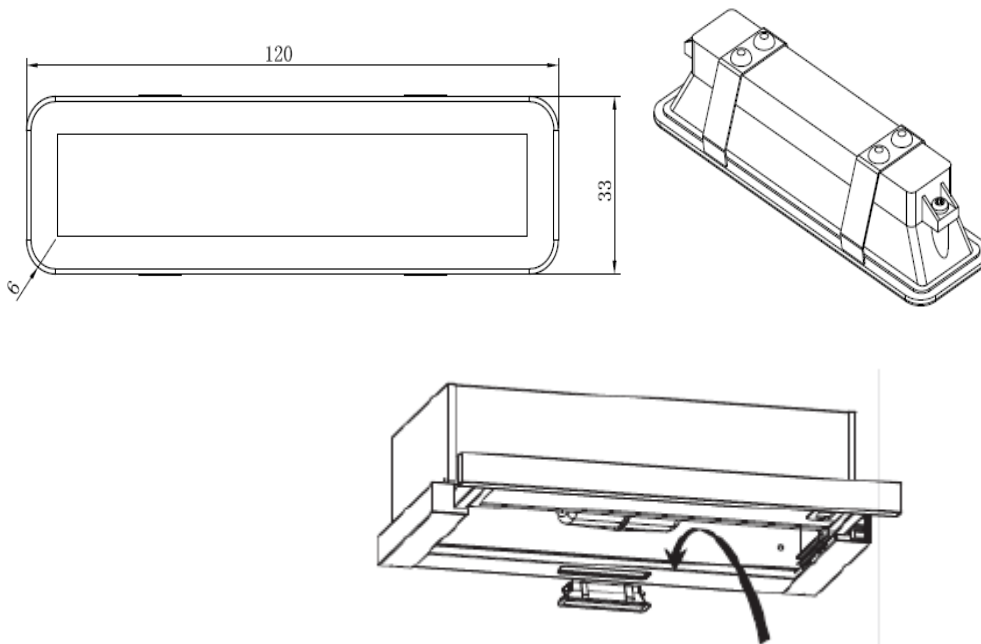
## BULB REPLACEMENT

<p>Important :</p> 	<ul style="list-style-type: none"><li>✧ The bulb must be replaced by the manufacturer, its service agent or similarly qualified persons.</li><li>✧ Always switch off the electricity supply before carrying out any operations on the appliance. When handling bulb, make sure it is completely cool down before any direct contact to hands.</li><li>✧ When handling globes hold with a cloth or gloves to ensure perspiration does not come in contact with the globe as this can reduce the life of the globe.</li></ul>
--	---


### Changing the light

Use the screw driver loosen the ST4\*8MM self tapping screw (2pcs) from the lighting panel, take out the lighting fixture. Open the terminal box that connected with the wire, disconnect the wire connector and replace the lamp.

- ILCOS D code for this lamp is: DBS-2/65-H-120/33
- LED modules –rectangle lamp
- Max wattage: 1X2 W
- Voltage range: AC 220-240V
- Dimensions:



## **ENVIRONMENTAL PROTECTION:**

	<p>This product is marked with the symbol on the selective sorting of waste electronic equipment. This means that this product must not be disposed of with household waste but must be supported by a system of selective collection in accordance with Directive 2012/19/EU. It will then be recycled or dismantled to minimize impacts on the environment, electrical and electronic products are potentially dangerous for the environment and human health due to the presence of hazardous substances. For more information, please contact your local or regional authorities.</p>
---	---

### **NOTE:**

The following shows how to reduce total environmental impact (e.g. energy use) of the cooking process).

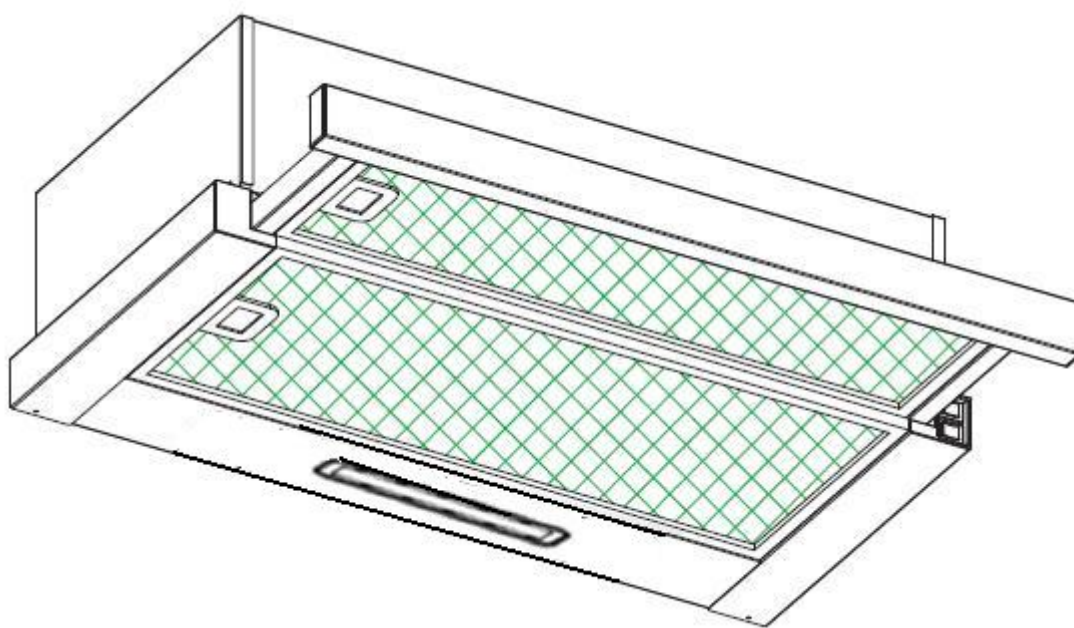
- (1) Install the cooker hood in a proper place where there is efficient ventilation.
- (2) Clean the cooker hood regularly so as not to block the airway.
- (3) Remember to switch off the cooker hood light after cooking.
- (4) Remember to switch off the cooker hood after cooking.

## **INFORMATION FOR DISMANTLING**

Do not dismantle the appliance in a way which is not shown in the user manual. The appliance could not be dismantled by user. At the end of life, the appliance should not be disposed of with household waste. Check with you Local Authority or retainer for recycling advice.

# Hotte aspirante

## Manuel d' instruction



# Sommaire

1.....	Consignes de sécurité
2.....	Installation
3.....	Commencez à utiliser votre hotte aspirante
4.....	Dépannage
5.....	Entretien et nettoyage
6.....	Protection de l' environnement

## CONSIGNES DE SÉCURITÉ

Ce manuel explique comment installer et utiliser correctement votre hotte aspirante. Veuillez le lire attentivement avant toute utilisation même si vous connaissez bien le produit. Le manuel doit être conservé en lieu sûr pour pouvoir le consulter en cas de besoin.

### À ne jamais faire :

- Ne tentez pas d'utiliser la hotte aspirante sans les filtres à graisse ou si les filtres sont excessivement encrassés !
- Ne l'installez jamais au-dessus d'une cuisinière avec un gril placé en hauteur.
- Ne laissez pas les poêles à frire sans surveillance pendant leur utilisation car les huiles ou les graisses surchauffées pourraient prendre feu.
- Ne laissez jamais des flammes nues sous la hotte aspirante.



- Si la hotte aspirante est endommagée, n'essayez pas de l'utiliser.
- Ne flambez rien sous la hotte aspirante.
- **ATTENTION** : Les parties accessibles peuvent devenir chaudes lors de l'utilisation avec des appareils de cuisson.
- La distance minimale entre la surface de support pour les récipients de cuisson sur la plaque de cuisson et la partie la plus basse de la hotte aspirante. (Quand la hotte aspirante est située au-dessus d'une cuisinière à gaz, cette distance doit être d'au moins 65 cm)
- L'air ne doit pas être évacué dans un conduit utilisé pour les fumées provenant d'appareils de combustion à gaz ou fonctionnant avec d'autres carburants.



### À toujours faire :

- Important ! Coupez toujours l'alimentation électrique durant l'installation et l'entretien, comme par exemple quand vous changez une ampoule.
- La hotte aspirante doit être installée conformément aux instructions d'installation et toutes les mesures doivent être respectées.
- Tout le travail d'installation doit être effectué par une personne compétente ou un électricien qualifié.
- Veuillez faire attention quand vous jetez l'emballage. Les enfants pourraient se blesser avec.
- Faites attention aux bords coupants à l'intérieur de la hotte aspirante durant l'installation et le nettoyage.
- Quand la hotte aspirante est située au-dessus d'une cuisinière, la distance minimale entre la surface de support pour les récipients de cuisson sur la plaque de cuisson et la partie la plus basse de la hotte aspirante doit être la suivante :  
Cuisinières à gaz : 75 cm  
Cuisinières électriques : 65 cm  
Cuisinières à charbon ou à mazout : 75 cm
- Vérifiez que les coudes des conduits ne sont pas inférieurs à 90 degrés car cela réduirait l'efficacité de la hotte aspirante.
- **Avertissement** : Si les vis ou le dispositif de fixation ne sont pas installés conformément à ces instructions, cela peut provoquer des dangers électriques



## À toujours faire :

- Placez toujours le couvercle sur les casseroles et les poêles quand vous cuisinez sur une cuisinière à gaz.
- En mode extraction, l'air de la pièce est éliminé par la hotte aspirante. Vérifiez que des mesures de ventilation correctes sont adoptées. La hotte aspirante élimine les odeurs de la pièce mais pas la vapeur.
- La hotte aspirante est réservée à un usage domestique.



- Si le cordon d'alimentation est endommagé, faites-le remplacer par le fabricant, le service après-vente ou un électricien qualifié pour éviter tout risque d'accident.
- Cet appareil peut être utilisé par des enfants âgés de 8 ans et plus et par des personnes à capacités physiques, sensorielles ou intellectuelles réduites ou sans expérience et connaissances, s'ils sont sous une surveillance appropriée ou bien s'ils ont été informés quant à l'utilisation de l'appareil de manière sûre, et s'ils comprennent les risques impliqués. Les enfants ne doivent pas jouer avec l'appareil. Le nettoyage et l'entretien ne doivent pas être effectués par des enfants sans surveillance.



- **Avertissement :** Avant d'accéder aux bornes, il faut débrancher tous les circuits d'alimentation.

## À toujours faire :

- **Attention :** L'appareil et ses parties accessibles peuvent devenir chauds durant le fonctionnement. Évitez de toucher les éléments qui chauffent. Les enfants âgés de moins de 8 ans doivent rester à distance à moins d'être surveillés en permanence.
- Il faut disposer d'une ventilation appropriée dans la pièce où la hotte aspirante est utilisée en même temps que d'autres appareils brûlant du gaz ou d'autres carburants.
- Il existe un risque d'incendie si le nettoyage n'est pas effectué conformément aux instructions.
- Les réglementations relatives à l'évacuation de l'air doivent être respectées.
- Nettoyez régulièrement votre appareil en suivant la méthode fournie dans le chapitre ENTRETIEN.
- Pour des raisons de sécurité, veuillez n'utiliser que des vis de fixation ou de montage de la même taille que celle recommandée dans ce manuel d'instruction.
- En ce qui concerne les détails sur la méthode et la fréquence de nettoyage, veuillez vous reporter au paragraphe relatif à l'entretien et au nettoyage dans le manuel d'instruction.
- Le nettoyage et l'entretien ne doivent pas être effectués par des enfants sans surveillance.
- Quand la hotte aspirante et les appareils alimentés par autre chose que de l'électricité fonctionnent simultanément, la pression négative à l'intérieur de la pièce ne doit pas dépasser 4 Pa (4 x 10<sup>-5</sup> bar).
- **AVERTISSEMENT :** Risque d'incendie : ne rangez aucun objet sur les surfaces de cuisson.
- Il ne faut pas utiliser de nettoyeur vapeur.
- Ne tentez JAMAIS d'éteindre un incendie avec de l'eau, mais éteignez l'appareil puis couvrez la flamme par exemple avec un couvercle ou une couverture pare-flammes.

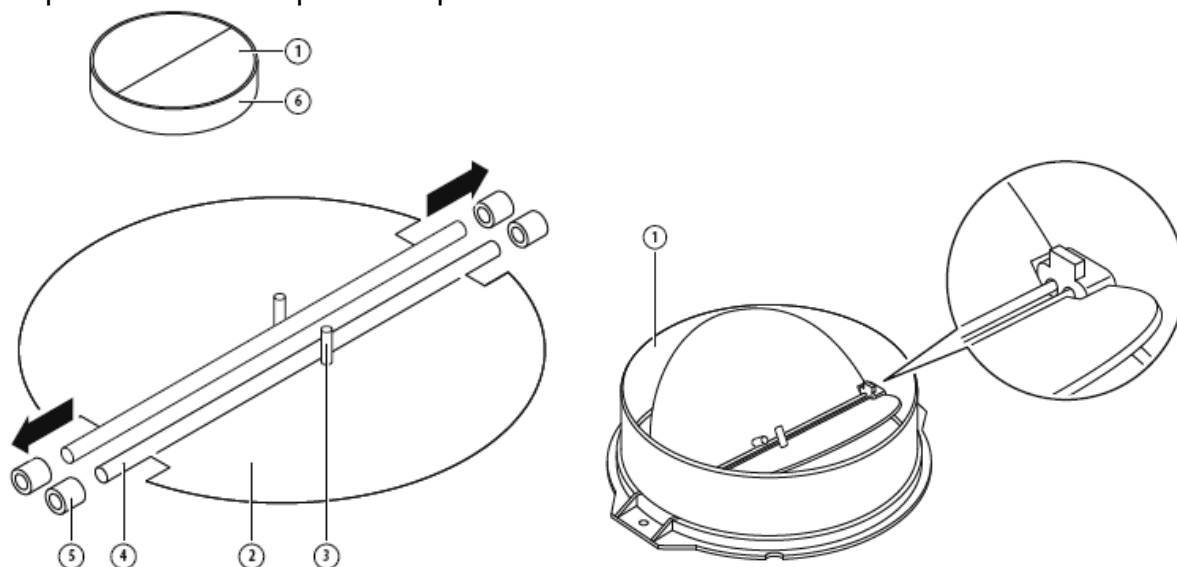
## **INSTALLATION (ÉVENT À L' EXTÉRIEUR)**

### **MONTAGE DU RABAT EN V (Optionnel)**

Si la hotte aspirante n'a pas de rabat en V 1 monté, vous devez monter les moitiés sur son corps. Les images ne montrent qu'un exemple de la façon de monter le rabat en V, la sortie peut varier en fonction des modèles et de la configuration.

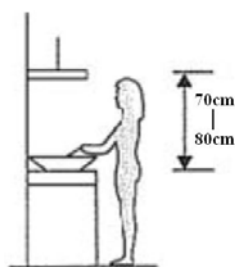
Pour monter le rabat en V 1, vous devez :

- Monter deux moitiés 2 dans le corps 6 ;
- Une cheville 3 doit être dirigée vers le haut ;
- L'axe 4 doit être introduit dans les trous 5 sur le corps ;
- Répétez toutes les opérations pour la seconde moitié.

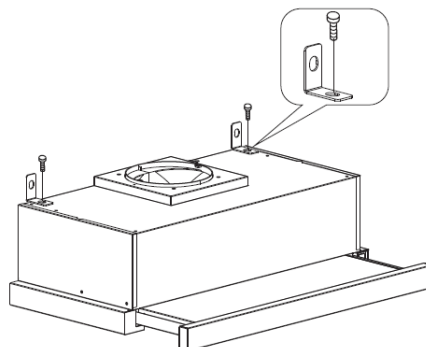


### **INSTALLATION (murale)**

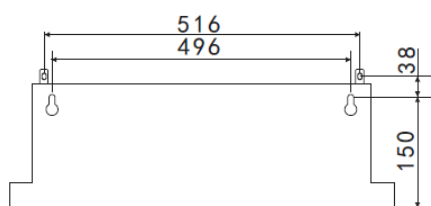
1. Choisissez l'emplacement des trous pour fixer la hotte aspirante.



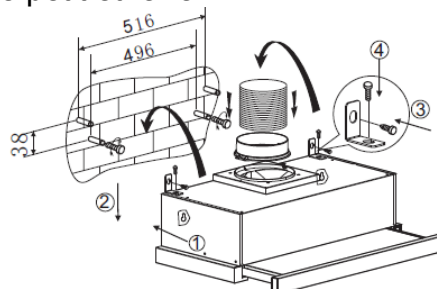
2. Installez l'étrier en L sur le dessus de la hotte avec deux vis (4 mm x 10 mm).



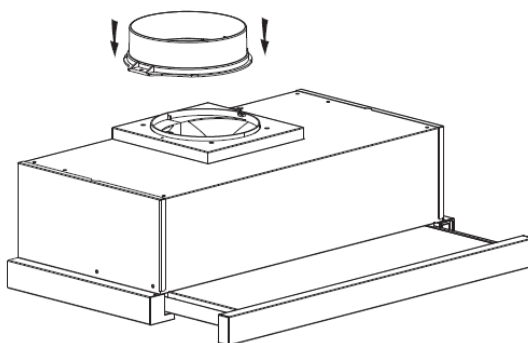
- La hotte aspirante est fixée au mur par 4 vis (4 mm x 30 mm) et des chevilles. Fixez la hotte aspirante sur le mur au niveau de l'arrière de la hotte aspirante avec 2 vis (4 mm x 30 mm) et des chevilles. Puis fixez la hotte aspirante sur le mur avec 2 vis (4 mm x 30 mm) et des chevilles à travers le petit étrier en L.



60CM

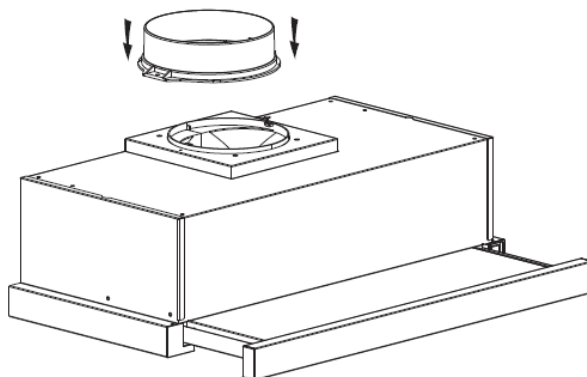


- Fixez le clapet anti-refoulement sur la sortie d'air de la hotte aspirante.

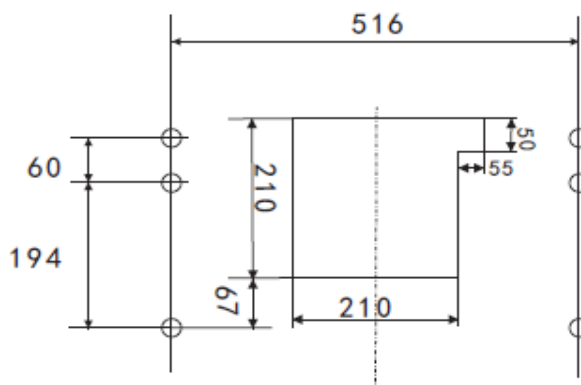


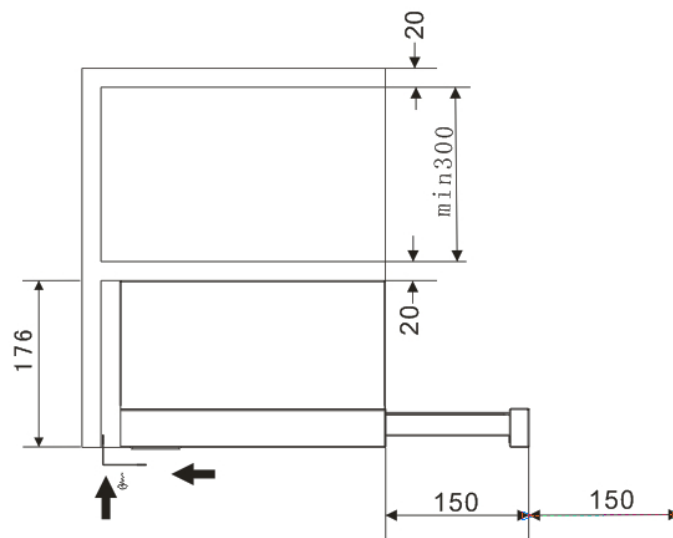
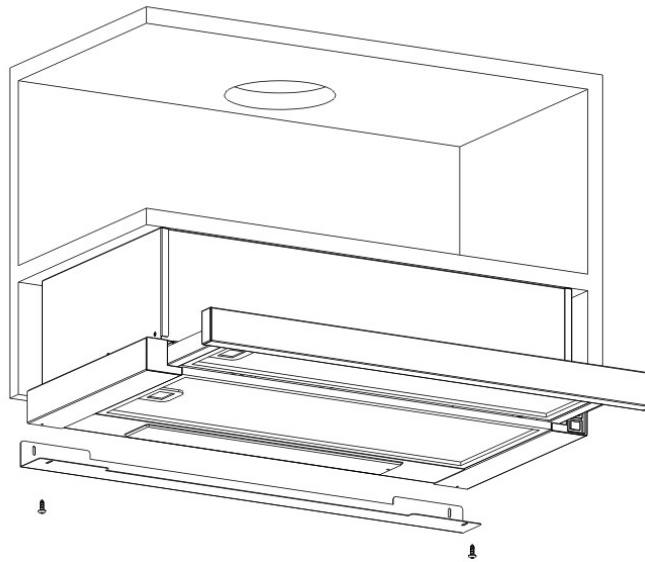
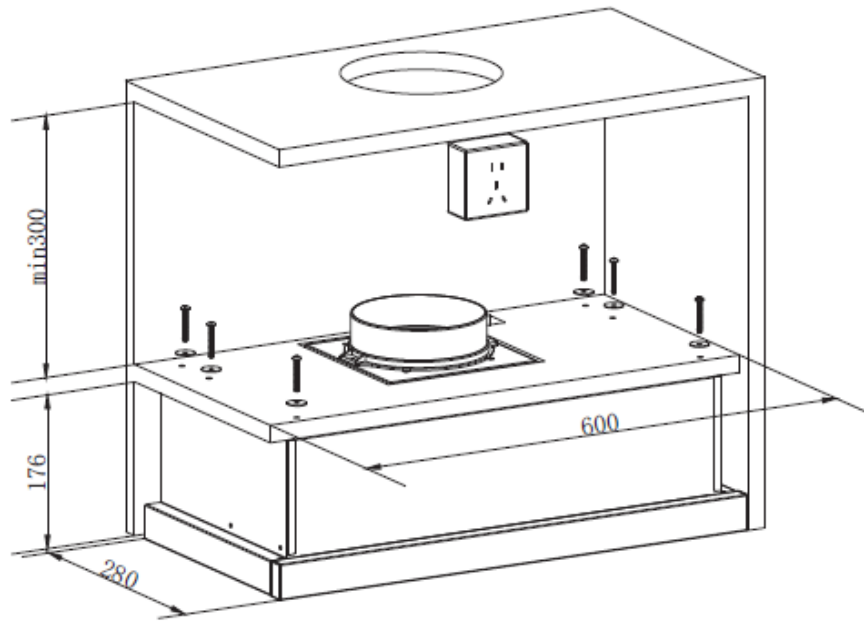
## INSTALLATION (sur un meuble)

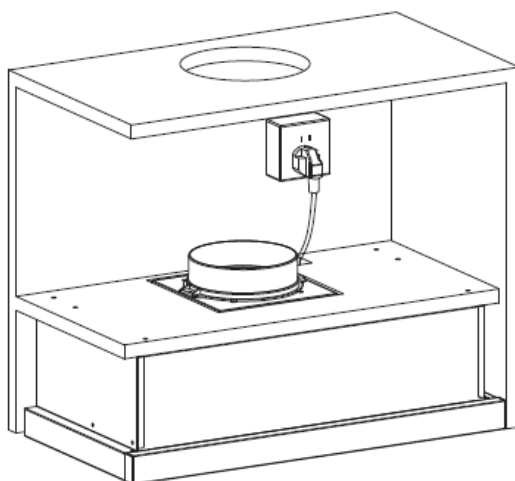
- Fixez le clapet anti-refoulement sur la sortie d'air de la hotte aspirante.



- Montez la hotte aspirante sur le meuble avec les 6 vis (4x35 mm) et les rondelles plates.







S'il y a un espace vide entre le mur et la hotte, vous pouvez installer l'étrier en L sur le bas de la hotte avec deux vis (3 x 12 mm).  
L'installation de l'étrier en L est facultative.  
Remarque : la gaine extensible n'est pas fournie avec le produit.

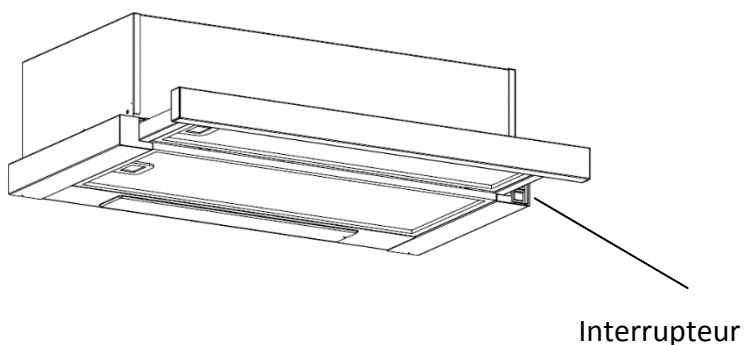
AVERTISSEMENT :



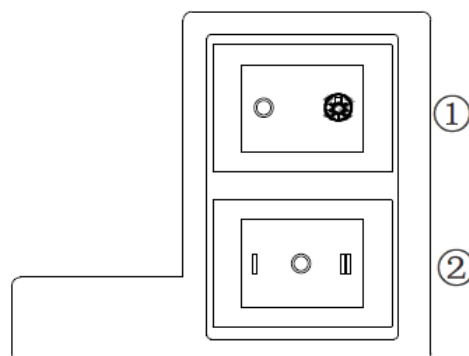
- Pour des raisons de sécurité, veuillez n'utiliser que des vis de fixation ou de montage de la même taille que celle recommandée dans ce manuel d'instruction.
- Si les vis ou le dispositif de fixation ne sont pas installés conformément à ces instructions, cela peut provoquer des dangers électriques.

## Commencez à utiliser votre hotte aspirante

### Interrupteur basculant



basculant



1. Branchez la fiche dans la prise.
2. Appuyez l'interrupteur ① sur  $\text{I}$ , la lampe s' allumera ; appuyez l' interrupteur ① sur "0" , la lampe s' éteindra.

3. Appuyez l' interrupteur ② sur "I, II" , le moteur s' allumera sur les deux vitesses "basse, élevée" , appuyez-le sur "0" , le moteur s' éteindra.
4. Le courant sera connecté quand le panneau frontal sera débranché. Inversement, le courant sera automatiquement déconnecté.

## **DÉPANNAGE**

<b>Problème</b>	<b>Cause possible</b>	<b>Solution</b>
La lumière est allumée mais le moteur ne fonctionne pas	Le ventilateur est éteint	Sélectionnez une position du commutateur du ventilateur.
	Panne du commutateur du ventilateur	Contactez le centre d'assistance.
	Panne du moteur	Contactez le centre d'assistance.
La lumière ne fonctionne pas, le moteur ne fonctionne pas	Les fusibles de la maison ont sauté	Remettez/Remplacez les fusibles.
	Cordon d'alimentation lâche ou débranché	Rebranchez le cordon à la prise de courant. Mettez sous tension la prise de courant.
Fuite d'huile	Le clapet anti-refoulement et la sortie ne sont pas bien étanches	Ôtez le clapet anti-refoulement et rendez-le étanche avec du mastic.
	Fuite au niveau du raccordement de la cheminée et du couvercle	Ôtez la cheminée et rendez-la étanche.
Les lumières ne fonctionnent pas	Ampoules cassées/défectueuses	Changez les ampoules selon ces instructions.
Aspiration insuffisante	La distance entre la hotte aspirante et la plaque de cuisson au gaz est trop importante	Remontez la hotte aspirante à la bonne distance.
La hotte aspirante est inclinée	La vis de fixation n'est pas suffisamment serrée	Serrez la vis de suspension et placez-la à l'horizontale.

### **REMARQUE :**



Toute réparation électrique sur cet appareil doit être conforme aux lois locales et nationales. Veuillez contacter le centre d'assistance si vous avez des doutes avant d'effectuer toute réparation. Débranchez toujours l'unité de la source d'alimentation quand vous ouvrez l'unité.

## **ENTRETIEN ET NETTOYAGE**

Attention :

- Avant d'effectuer l'entretien ou le nettoyage, vous devez débrancher la hotte aspirante de l'alimentation. Vérifiez que la



hotte aspirante est éteinte au niveau de la prise murale et que la fiche est débranchée.

- Les surfaces extérieures sont susceptibles d'être rayées et de subir des abrasions, veuillez donc respecter les instructions de nettoyage pour garantir le meilleur résultat possible sans dégât.

## GÉNÉRALITÉS

Le nettoyage et l'entretien doivent être effectués quand l'appareil est froid, en particulier pour le nettoyage. Évitez de laisser des substances alcalines ou acides (jus de citron, vinaigre, etc.) sur les surfaces.

## ACIER INOXYDABLE

Il faut nettoyer régulièrement (par ex. une fois par semaine) l'acier inoxydable pour garantir une longue durée de vie. Essuyez-le avec un chiffon doux et sec. Un liquide de nettoyage spécialement conçu pour l'acier inoxydable peut être utilisé.

### REMARQUE :

Veillez à essuyer l'appareil le long du grain de l'acier inoxydable pour éviter l'apparition de rayures croisées.

## SURFACE DU PANNEAU DE COMMANDE

Le panneau de commande peut être nettoyé avec de l'eau savonneuse chaude. Vérifiez que le chiffon est propre et bien essoré avant d'effectuer le nettoyage. Utilisez un chiffon doux et sec pour éliminer l'excès d'humidité restant après le nettoyage.

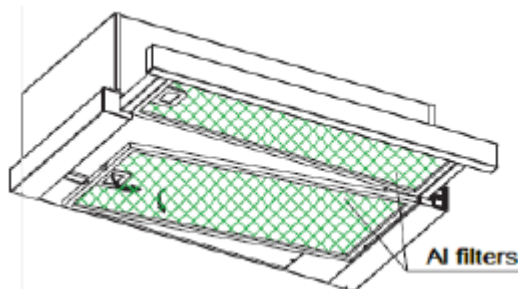
## Important

Utilisez des détergents neutres et évitez les produits chimiques agressifs, les détergents ménagers puissants ou les produits contenant des abrasifs, car cela affectera l'aspect de l'appareil et pourrait éliminer les dessins imprimés sur le panneau de commande et rendre la garantie caduque.

## FILTRES À TAMIS À GRAISSE

Les filtres à tamis peuvent être nettoyés à la main. Plongez-les pendant près de 3 minutes dans de l'eau avec un détergent pour dissoudre la graisse, puis brossez-les délicatement avec une brosse douce. N'exercez pas une pression trop importante pour éviter de les endommager. (Laissez-les sécher naturellement sans les placer en plein soleil)

Les filtres doivent être lavés séparément des couverts et des ustensiles de cuisine. Il est conseillé de ne pas utiliser un agent de rinçage.



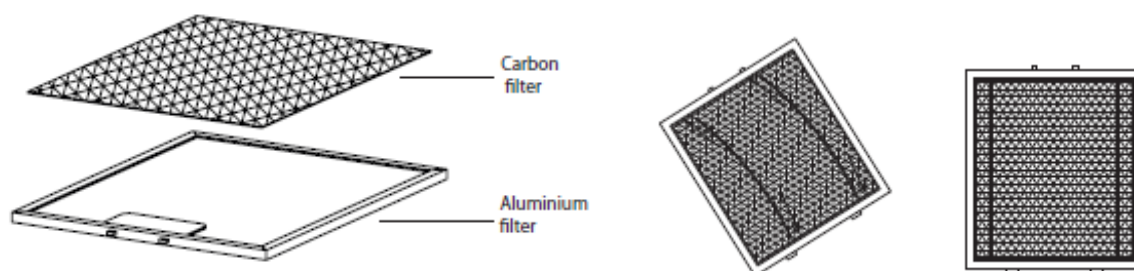
## INSTALLATION DES FILTRES À TAMIS À GRAISSE

- Pour installer les filtres, suivez ces quatre étapes :
  - Inclinez le filtre pour l'introduire dans les fentes à l'arrière de la hotte ;
  - Appuyez sur le bouton situé sur la poignée du filtre ;
  - Relâchez la poignée une fois que le filtre est mis en place ;
  - Répétez cette opération pour installer tous les filtres.

## FILTRE À CHARBON

Les filtres à charbon actif sont utilisés pour absorber les odeurs. Les filtres à charbon actif doivent normalement être changés tous les trois ou six mois, selon le type d'utilisation de la cuisine. La procédure d'installation des filtres à charbon actif est la suivante.


1. Placez le filtre à charbon sur la face arrière du filtre en aluminium.
2. Insérez le fil d'acier dans le cadre du filtre en aluminium, un de chaque côté. Vous devez le plier pour l'insérer à l'autre extrémité du cadre.
3. Assurez-vous que le fil d'acier fixe le filtre à charbon sur le filtre en aluminium.



## REMARQUE :

- Assurez-vous que le filtre est bien verrouillé. Sinon, il pourrait se détacher et devenir dangereux.
- Quand le filtre à charbon actif est fixé, la puissance d'aspiration diminue.

## REMPACEMENT DE L'AMPOULE

<p>Important :</p> 	<ul style="list-style-type: none"><li>✧ L'ampoule doit être remplacée par le fabricant, le service après-vente ou d'autres personnes qualifiées.</li><li>✧ Coupez toujours le courant avant d'effectuer toute opération sur l'appareil. Quand vous manipulez l'ampoule, assurez-vous qu'elle ait entièrement refroidi avant tout contact direct avec les mains.</li><li>✧ Quand vous manipulez les ampoules, faites-le avec un chiffon ou des gants pour éviter tout contact entre de la transpiration et l'ampoule car cela peut réduire la durée de vie de l'ampoule.</li></ul>
--	---

(1) Éteignez l'appareil et débranchez-le.

(2) Faites glisser la partie avant de la hotte aspirante.



(3) Il faut d'abord détacher le filtre en aluminium. Appuyez sur le verrou et tirez-le vers le bas.

(4) Remplacez par le même type d'ampoule : LED 230 V~50 Hz, MAXI 2,5W

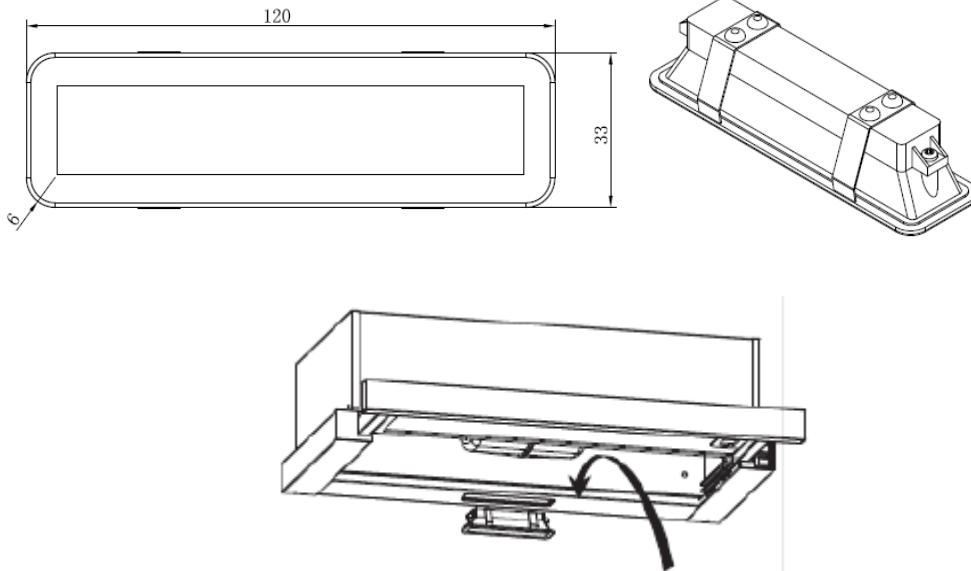
• Le code ILCOS D pour cette lampe est le suivant : DBS-2/65-H-120/33

– Modules LED – ampoule rectangulaire

– Puissance maxi : 1x2 W

– Plage de tension : ca 220-240 V

– Dimensions :



## **PROTECTION DE L' ENVIRONNEMENT**



Le symbole de la poubelle barrée est apposé sur ce produit. Cela veut dire que ce produit ne doit pas être jeté avec les ordures ménagères mais doit être apporté à un centre de collecte sélective conformément à la Directive 2012/19/UE. Il sera ensuite recyclé ou démonté pour réduire au minimum l'impact sur l'environnement car les produits électriques et électroniques sont potentiellement dangereux pour l'environnement et la santé humaine car contenant des substances nocives. Pour de plus amples informations, veuillez contacter les autorités locales ou régionales.

### **REMARQUE :**

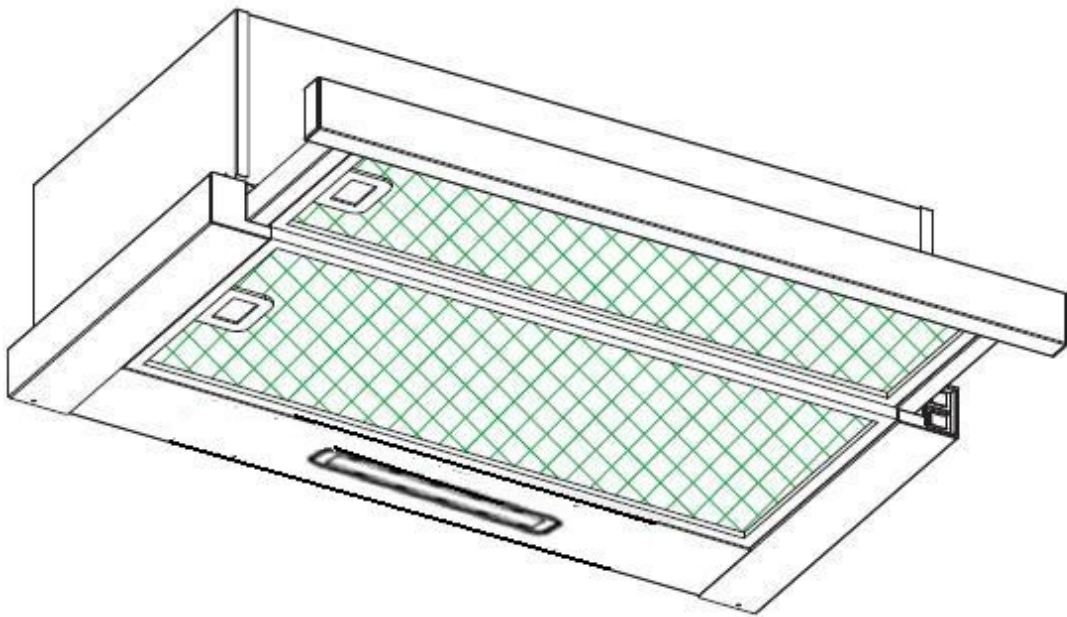
Les indications suivantes montrent comment réduire l'impact total sur l'environnement (par ex. utilisation de l'énergie) du processus de cuisson.

- (1) Installez la hotte aspirante à un endroit approprié disposant d'une ventilation efficace.
- (2) Nettoyez la hotte aspirante régulièrement de manière à ne pas obstruer le conduit d'air.
- (3) N'oubliez pas d'éteindre la lumière de la hotte aspirante après avoir cuisiné.
- (4) N'oubliez pas d'éteindre la hotte aspirante après avoir cuisiné.

## **INFORMATIONS POUR LE DÉMONTAGE**

Ne démontez pas l'appareil autrement que ce qui est indiqué dans le manuel d'utilisation. L'appareil ne doit pas être démonté par l'utilisateur. À la fin de sa durée de vie, l'appareil ne doit pas être jeté avec les ordures ménagères. Adressez-vous aux autorités locales ou au revendeur pour connaître la méthode de recyclage.

# Páraelszívó Kezelési útmutatója



# Tartalom

1.....	Biztonsági utasítások
2.....	Beszereles (külső kivezetőnyílásra)
3.....	A páraelszívó használata
4.....	Hibaelhárítás
5.....	Karbantartás és tisztítás
6.....	Környezetvédelem

## Biztonsági utasítások

Ez az útmutató a páraelszívó szakszerű beszerelését és kezelését ismerteti, kérjük, gondosan olvassa el, mielőtt a készüléket használatba venné – még akkor is, ha ismeri a terméket. Tartsa az útmutatót biztonságos helyen, hogy később bármikor elővehesse.

Ezt az útmutatót más formátumban is elérheti, pl. webhelyünkön vagy kérésre DVD formátumban.

### Tiltások:

- Soha ne használja a páraelszívót a szűrők nélkül vagy túlságosan zsíros szűrőkkel!
- Ne szerelje magasított grillsütővel rendelkező tűzhely fölé.
- Használat közben ne hagyja felügyelet nélkül a serpenyőket, mert a forró olaj vagy zsír tüzet okozhat.
- Ne hagyjon nyílt lángot a páraelszívó alatt.



- Ha a páraelszívó megsérül, ne használja.
- Ne flambírozzon a páraelszívó alatt.
- FIGYELJEN AZ ALÁBBIakra: A hozzáférhető részek felforrósodhatnak, amikor főzőberendezésekkel használják őket.
- A minimális távolság a tűzhelyen elhelyezett főzőedények és a szagelszívó-berendezés legalacsonyabb pontja között. (Ha a páraelszívó gáztűzhely felett található, ennek a távolságnak legalább 65 cm-nek kell lennie)
- Levegőt tilos olyan kürtőn keresztül kiengedni, amelyet gázzal vagy más üzemanyaggal működő készülékek füstjének elvezetésére használnak.



### Előírások:

- Fontos! Karbantartáskor (például az égő kicserélésekor) és az üzembe állításkor mindig kapcsolja le az elektromos hálózatot.
- A páraelszívót az üzembe állítási útmutatónak megfelelően, a helyigény felmérését követően szerelje be.
- A beszerelési munkákat hozzáértő személy vagy képzett villanyszerelő végezze.
- Gondoskodjon a szükségtelenné vált csomagolóanyag megfelelő elhelyezéséről. Gyermekekre veszélyes.
- Figyeljen a páraelszívó belsejében lévő éles szélékre – különösen a beszerelés és a tisztítás során.
- Ha a páraelszívót gáztűzhely fölött helyezi el, a tűzhelyen elhelyezett főzőedények helye és a páraelszívó legalacsonyabb pontja közötti minimális távolság legyen:  
Gáztűzhely esetén: 75 cm  
Elektromos tűzhely esetén: 65 cm  
Szén- vagy olajtűzhely esetén: 75 cm
- Ügyeljen arra, hogy a csővezeték ne hajlítsa meg 90 foknál nagyobb szögben, mert ez ronthatja a páraelszívó hatékonyságát.
- Vigyázat: Ha az eszköz vagy a csavarok rögzítése nem az útmutató szerint történik, fennáll az áramütés veszélye.
- Vigyázat: Mielőtt hozzáférne a csatlakozóvégekhez, az összes betápláló áramkört le kell csatlakoztatni.

## Előírások:

- Mindig rakjon fedőt az edényekre és a serpenyőkre, ha a gáztűzhelyen süt vagy főz.
- Kiszívási üzemmódban a páraelszívó kiszívja a levegőt a szobából. Kérjük, gondoskodjon a megfelelő szellőzésről. A páraelszívó a szagokat távolítja el a szobából, a gőzt nem.
- A páraelszívó kizárólag házi használatra készült.



- Ha a tápkábel megsérül, a kockázatok elkerülése végett a gyártó által megadott márkaszerviznek vagy megfelelően képzett szakembernek kell gondoskodnia a cseréjéről.
- A készüléket 8 év fölötti gyermekek, csökkent fizikai, érzékszervi és mentális képességekkel rendelkező, illetve kellő tapasztalattal nem rendelkező személyek, csak felügyelet mellett, illetve akkor használhatják, ha már rendelkeznek a készülék biztonságos használatára és a kockázatokra vonatkozó tudással. Gyermekek ne játsszanak a készülékkel. A tisztítást és a karbantartást gyermekek nem végezhetik felügyelet nélkül.



- Vigyázat: Mielőtt hozzáférne a csatlakozóvégekhez, az összes betápláló áramkört le kell csatlakoztatni.

## Előírások:

- Figyeljen az alábbiakra: A készülék és a hozzáférhető részei felforrósodhatnak használat közben. Ne nyúljon a felmelegedő részekhez. 8 évesnél fiatalabb gyermekek csak akkor menjenek a készülék közelébe, ha folyamatos felügyelet alatt állnak.
- Ha egyszerre használja a szagelszívót és a tűzhelyet (legyen az gáztüzelésű vagy másmilyen), megfelelően szellőzzön a helyiség.
- Tűzveszély áll fenn, ha nem az útmutatónak megfelelően végzik a tisztítást.
- A légmentesítést az előírásoknak megfelelően kell elvégezni.
- Időről időre tisztítsa meg a készüléket a KARBANTARTÁS fejezetben megadott módon.
- Biztonsági okokból csak az útmutatóban ajánlott méretű rögzítő- vagy szerelőcsavart használja.
- A tisztítás módjával és gyakoriságával kapcsolatban tekintse át az útmutató karbantartásról és tisztításról szóló fejezetét.
- A tisztítást és a karbantartást gyermekek nem végezhetik felügyelet nélkül.
- Amikor a páraelszívó és a nem villanyárammal működő berendezések egyidejűleg vannak üzemben, akkor a helyiségben a negatív nyomás nem haladhatja meg a 4 Pa-t ( $4 \times 10^{-5}$  bar).
- VIGYÁZAT: Tűzveszély: ne tároljon semmilyen tárgyat a főzőlap felületén.
- Nem használható gőztisztító.
- Tűz esetén SOHA ne próbálja azt vízzel oltani. Kapcsolja ki a készüléket, majd pl. egy edényfedővel vagy tűzálló takaróval fojtsa el a tüzet.

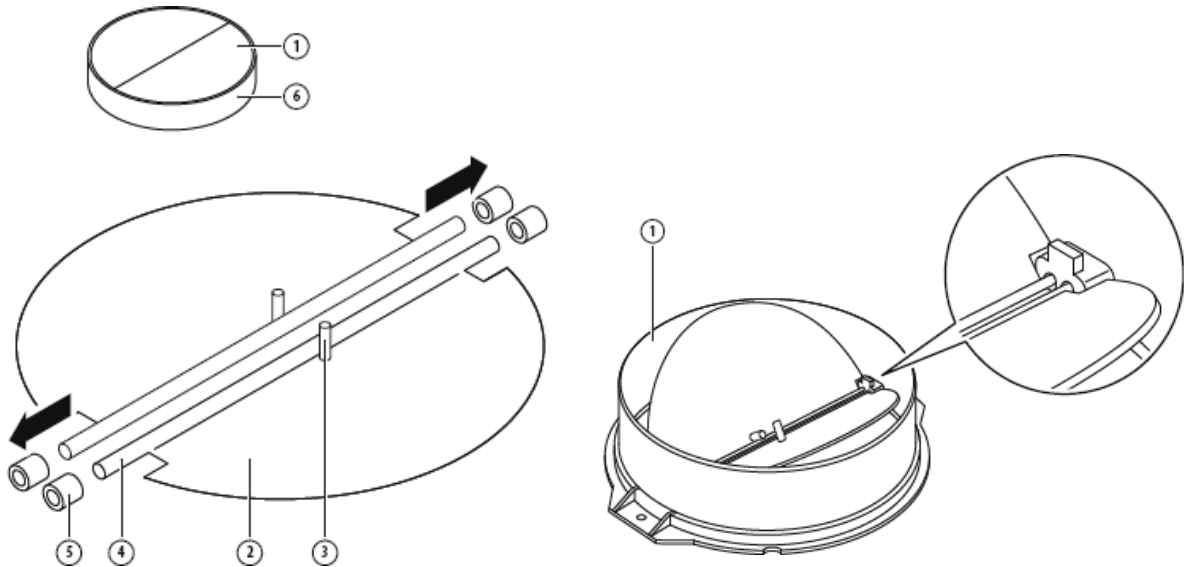
## **BESZERELÉS (KÜLSŐ KIVEZETŐNYÍLÁSRA)**

### **V-SZELEP BESZERELÉSE (opcionális)**

Ha a páraelszívó nem rendelkezik beépített V-szeleppel 1, akkor a félelemeket a burkolatra kell szerelni. A képeken a V-szelep felszerelésére egy példa látható, a kivezetőnyílás a különböző modellek és konfigurációk szerint eltérő lehet.

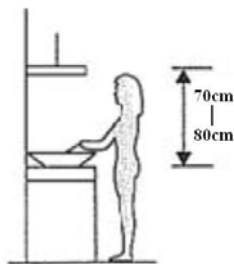
A V-szelep 1 beszereléséhez:

- Szerelje fel a félelemeket 2 a burkolatra 6
- a csapot 3 felülre kell igazítani;
- a tengelyt 4 a burkolaton található furatokba 5 kell behelyezni;
- ismételje meg ezeket a műveleteket a másik félelemen is

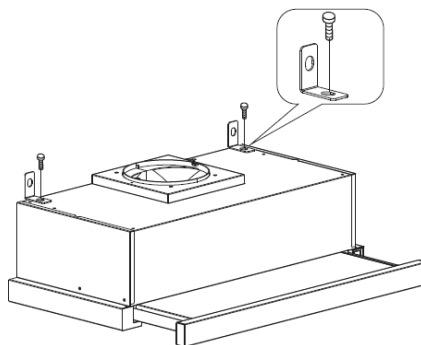


### **BESZERELÉS (falra szerelés)**

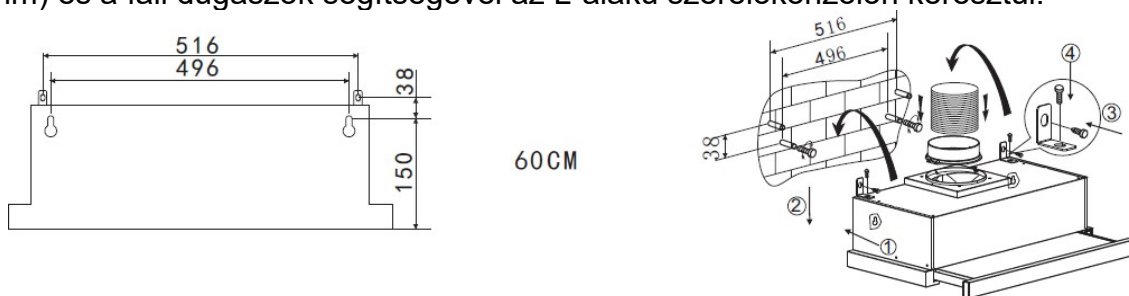
1. Határozza meg a páraelszívót rögzítő furatok helyét.



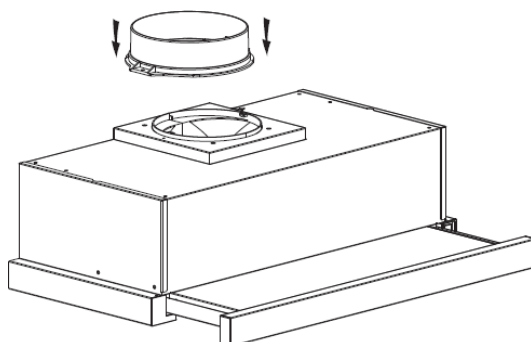
2. Szerelje fel az L-alakú szerelőkonzolt a páraelszívó tetejére két csavarral (4 mm x 10mm).



3. A páraelszívót 4 csavarral (4mm x 30mm) és fali dugaszokkal kell a falra szerelni. A páraelszívót a páraelszívó hátulján lévő 2 csavar (4 mm x 30mm) és a fali dugaszok segítségével szerelje a falra. Aztán szerelje a páraelszívót a falra a 2 csavar (4 mm x 30mm) és a fali dugaszok segítségével az L-alakú szerelőkonzolon keresztül.

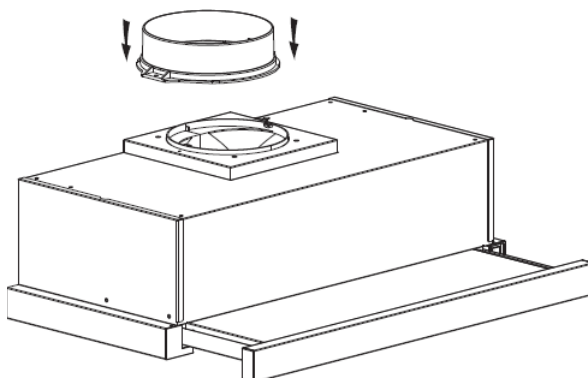


4. Rögzítse az egyutas szelepet a páraelszívó kivezetőnyílásához.

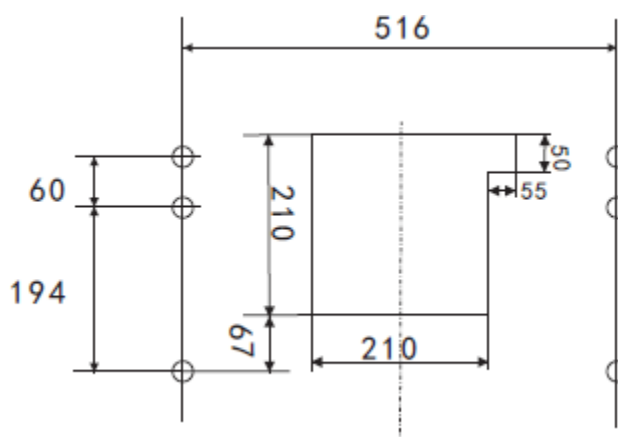


## BESZERELÉS (szekrénybe szerelés)

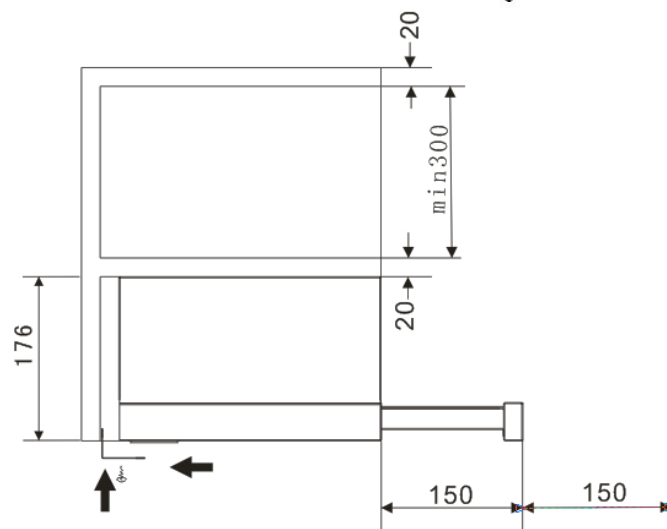
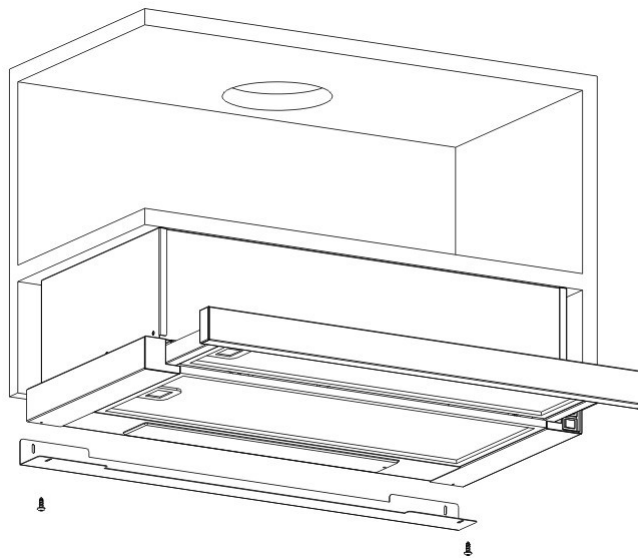
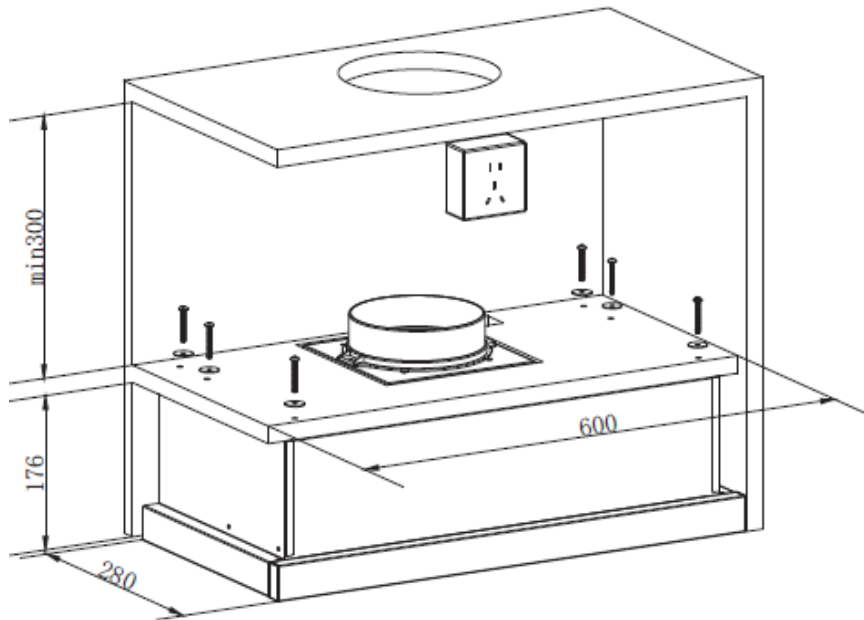
1. Rögzítse az egyutas szelepet a páraelszívó kivezetőnyílásához.

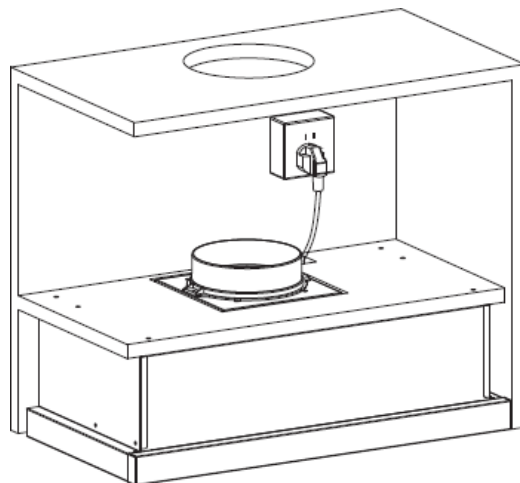


2. A páraelszívót 6 csavar (4x35mm) és fali alátétek segítségével szerelheti szekrénybe.









Ha a fal és a páraelszívó között rés van, akkor a páraelszívó aljára szerelheti az L-alakú szerelőkonzolt két csavar (3 x 12 mm) segítségével.

Az L-alakú szerelőkonzol felszerelése nem kötelező. Megjegyzés: A hosszabbítócső nem a termékkel szállított csomag része.

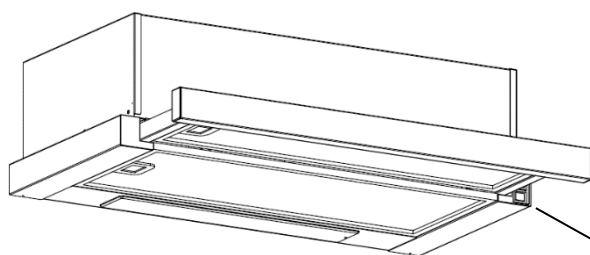
### VIGYÁZAT:



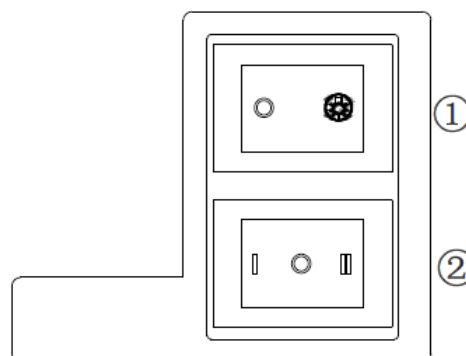
- Biztonsági okokból csak az útmutatóban ajánlott méretű rögzítő- vagy szerelőcsavart használja.
- Ha az eszköz vagy a csavarok rögzítése nem az útmutató szerint történik, fennáll az áramütés veszélye.

## A páraelszívó használata

### Billenőkapcsoló



Billenőkapcsoló



1. Illessze a tápkábelvéget az aljzatba.
2. Ha a kapcsolót ① lenyomja, akkor a lámpa bekapcsol; ha a kapcsolót ① „0” állásba billenti, akkor a lámpa kikapcsol.
3. Ha a kapcsolót ② „I, II” állásba kapcsolja, akkor „alacsony világítás” beállítással két fokozatba kapcsolhatja, ha „0” állásba állítja, akkor a motor kikapcsol.
4. Az első panel kihúzásakor bekapcsol a készülék. Annak visszatolásakor automatikusan kikapcsol.

## HIBAELHÁRÍTÁS

Hiba	Lehetséges ok	Megoldás
A lámpa világít, de a motor nem működik	A ventilátor kapcsolóját lekapcsolták	Válassza ki a ventilátorkapcsoló állását
	A ventilátorkapcsoló meghibásodott	Forduljon a szervizközponthoz.
	A motor meghibásodott	Forduljon a szervizközponthoz.
A világítás nem működik, a motor nem kapcsol be	A burkolati biztosítékok kiégtek	Állítsa vissza/cserélje ki a biztosítékokat
	A tápkábel kilazult vagy levált	Rögzítse vissza a kábelt az aljzathoz. Kapcsolja be az aljzatot
Olajszivárgás	Az egyutas szelep és a kivezetőnyílás nincs megfelelően szigetelve	Vegye le az egyutas szelepet és szigetelje be.
	Szivárgás a kürtőcsatlakozásból és a burkolatból	Vegye le a kürtőt és szigetelje be.
A lámpák nem működnek	Törött/meghibásodott lámpabúrák	Cserélje ki a búrákat az utasítás szerint.
Elégtelen beszívás	A páraelszívó és a gáztűzhely közötti távolság túl nagy	Helyezze át a páraelszívót megfelelő távolságra.
A páraelszívó megdőlt	A rögzítőcsavar nincs kellőképp megfeszítve	Húzza meg a kilazult csavart és állítsa vízszintesbe.



### **MEGJEGYZÉS:**

A készüléken végzendő villamossági javításoknak meg kell felelniük a helyi, állami és szövetségi jogszabályoknak. Kérjük, forduljon a szervizközponthoz, ha kételye merül fel a fenti műveletekkel kapcsolatban. Az egység felnyitása előtt mindig csatlakoztassa le a készüléket az elektromos áramellátásról.

## KARBANTARTÁS ÉS TISZTÍTÁS

### Figyelem:

- Karbantartási vagy tisztítási műveletek előtt a páraelszívót le kell csatlakoztatni az elektromos áramellátásról. Ügyeljen arra, hogy a páraelszívó a fali aljzatnál ki legyen kapcsolva és a csatlakozóvég le legyen választva.
- A külső felület megkarcolódhatnak és súrlódástól megsérülhetnek, ezért tartsa be a tisztítási utasításokat, hogy a károsodás nélkül a lehető legjobb eredményt érje el.



## ÁLTALÁNOS

A tisztítást és karbantartást lehűlt készüléken végezze – különösen tisztítás esetén. Gondoskodjon arról, hogy a felületekre ne folyhassanak savas vagy lúgos anyagok (citromlé, ecet, stb.).

## ROZSDAMENTES ACÉL

A rozsdamentes acélt rendszeresen meg kell tisztítani (pl. hetente) a hosszú élettartam biztosítása érdekében. Szárítsa meg egy tiszta és puha törölkendővel. Speciális, rozsdamentes acél felületek tisztítására szolgáló folyadék használata ajánlott.

### MEGJEGYZÉS:

Ügyeljen arra, hogy a törléskor a rozsdamentes acél szálirányát kövesse, hogy ne keletkezzenek harántirányú karcok.

## A VEZÉRLŐPANEL FELÜLETE

A beépített vezérlőpanel szappanos vízzel tisztítható. Ügyeljen arra, hogy a tisztításhoz használt törölkendő tiszta és száraz legyen. Száraz és puha törölkendővel távolítsa el a tisztítás után hátramaradt felesleges nedvességet.

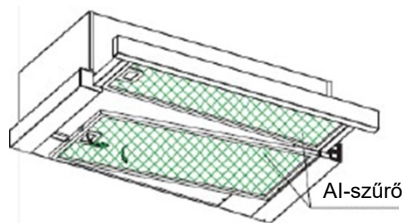
### Fontos

Semleges kémhatású tisztítószeret használjon, és kerülje az agresszív vegyi anyagokat, erős háztartási tisztítószeret vagy a dörzsölőanyagokat tartalmazó termékeket, mivel ez hatással lehet a készülék megjelenésére és eltávolíthatja a vezérlőpanelen lévő feliratokat, továbbá a gyártói jótállás érvénytelenné válásához vezethet.

## ZSÍRSZŰRŐK

A zsírszűrőket kézzel kell kitisztítani. Áztassa a szűrőket körülbelül 3 percig zsíroldószeres vízbe, majd finoman dörzsölje át őket egy puha kefével. Ne fejtessen ki túl nagy nyomást, nehogy kárt okozzon bennük. (Hagyja száradni a szűrőket közvetlen napfénytől távol tartva.)

A szűrőket a konyhai edényektől és eszközöktől külön kell mosni. Lehetőség szerint ne használjon öblítőszeret.



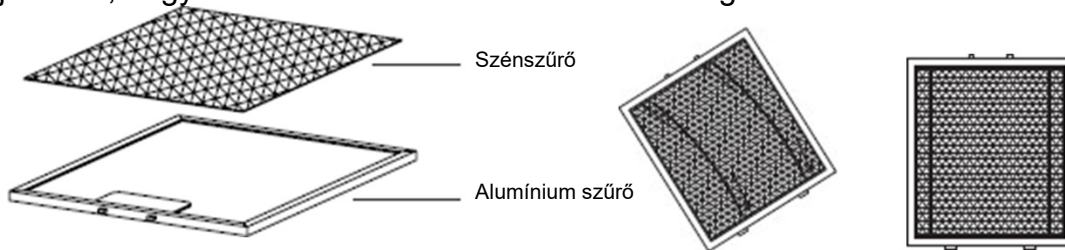
## ZSÍRSZŰRŐK BESZERELÉSE

- A szűrők beszereléséhez az alábbi négy lépést kövesse.
- Állítsa a szűrőt a páraelszívó hátulján lévő foglalatokba.
- Nyomja meg a szűrő szárán lévő gombot.
- Engedje el a szárát, amikor a szűrő az ülékébe került.
- Ismétlje meg a fenti lépéseket az összes szűrőn.

## SZÉNSZŰRŐ


Az aktív széniszűrő elnyeli a szagokat. Általánosságban az aktívszéniszűrőt három-hat havonta kell cserélni a főzési szokásoktól függően. Az aktívszéniszűrő beszerelése az alábbiak szerint történik.

1. Helyezze a széniszűrőt az alumínium szűrő hátuljára.
2. Helyezze az acéldrótot az alumínium szűrő keretébe, egyet mindegyik oldalra. A keret másik végébe akkor tudja behelyezni, ha meghajlítja.
3. Ügyeljen arra, hogy az acéldrótot az alumínium szűrőbe rögzítse a széniszűrőt.



## MEGJEGYZÉS:

- Bizonyosodjon meg róla, hogy a szűrő biztosan zárva van-e. Máskülönben kilazulhat és kárt okozhat a készülékben.
- Amikor az aktív széniszűrő csatlakoztatva van, csökken a szívóerő.

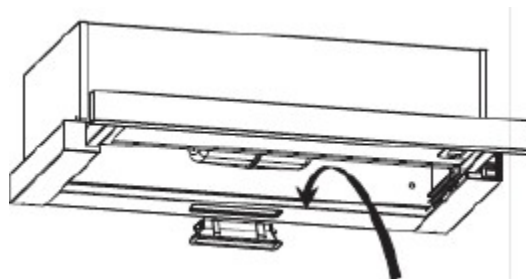
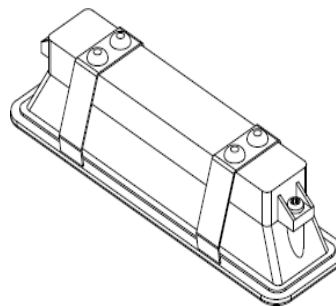
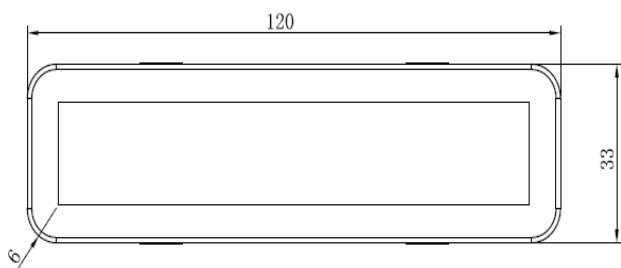
<p><b>Fontos:</b></p> 	<ul style="list-style-type: none"><li>✧ Az izzót a gyártónak, szerviznek vagy hasonlóképp képzett személynek kell kicserélnie.</li><li>✧ A készüléken bármilyen művelet megkezdése előtt mindig kapcsolja le az elektromos áramellátást. Az izzó kezelésekor ügyeljen arra, hogy az izzó teljesen lehűljön, mielőtt kézzel hozzáérne.</li><li>✧ Az izzó megérintéséhez ruhát vagy kesztyűt használjon, hogy ne kerüljön az izzra verejték, mert az csökkentheti az égő élettartamát.</li></ul>
--	--

## IZZÓCSERE

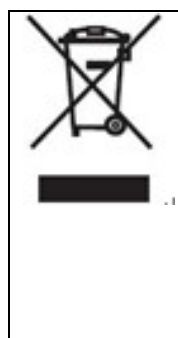
### Lámpacsere

Csavarhúzóval lazítsa meg az ST4\*8MM önfúró csavart (2 db) a lámpapanelből, majd vegye ki a lámpaszerkezetet. Nyissa fel a vezetékkel csatlakoztatott kapcsolódobozt, csatlakoztassa le a vezetékvéget, majd cserélje ki a lámpát.

- ILCOS D kód ehhez a lámpához: DBS-2/65-H-120/33
- LED-modulok – téglalap alakú lámpa
- Max. teljesítmény: 1X2 W
- Feszültségtartomány: AC 220-240V
- Méretek:



## **KÖRNYEZETVÉDELLEM**



Ez a termék rendelkezik az elektronikus eszközökre vonatkozó szelektív hulladékgyűjtés jelölésével. Ez azt jelenti, hogy a terméket tilos a háztartási hulladékokkal együtt kezelni, illetve a szelektív hulladékgyűjtési rendszert kell használni hozzá (a 2012/19/EU irányelvnek megfelelően). A terméket szétbontják vagy újrahasznosítják, hogy csökkenjen a környezetre gyakorolt hatás, ugyanis az elektronikus termékek – a veszélyesanyag-tartalmuk miatt – veszélyesek lehetnek a környezetre és az emberi egészségre. Ha további tudnivalókra van szüksége, vegye fel a kapcsolatot a helyi vagy a regionális hatóságokkal.

### **MEGJEGYZÉS:**

A következő rész azt ismerteti, hogy csökkenthető a környezetre gyakorolt hatás (a főzési folyamat energiaigénye).

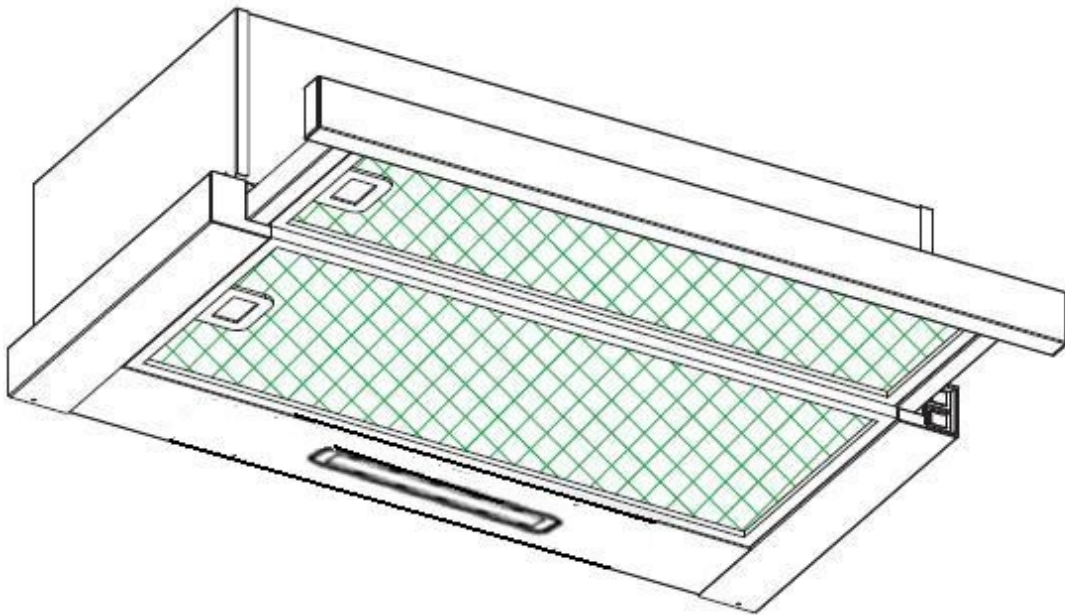
- (1) Olyan helyre szerelje a páraelszívót, ahol biztosított a megfelelő szellőzés.
- (2) Rendszeresen tisztítsa a páraelszívót, így megakadályozhatja a szellőzőnyílások eltömődését.
- (3) Ne felejtse el kikapcsolni a páraelszívó világítását használat után.
- (4) Kapcsolja ki a páraelszívót használat után.

### **A SZÉTSZERELÉSHEZ SZÜKSÉGES INFORMÁCIÓK**

Csak a használati útmutatónak megfelelően szerelje szét a készüléket. A felhasználó nem szerelheti szét a készüléket. A használhatatlanná vált készüléket ne a háztartási hulladék közé dobja. Vegye fel a kapcsolatot a helyi hatóságokkal a megőrzési vagy újrahasznosítási tanácsokért.

# Kuhinjska napa

## Priručnik s uputama



# Sadržaj

1.....	Sigurnosne upute
2.....	Ugradnja (vanjski odušnik)
3.....	Početak rada s kuhinjskom napom
4.....	Rješavanje problema
5.....	Održavanje i čišćenje
6.....	Zaštita okoliša



## **SIGURNOSNE UPUTE**

Ovaj priručnik sadrži upute za pravilnu ugradnju i upotrebu vaše kuhinjske nape. Pažljivo ga pročitajte prije nego što upotrijebite proizvod, čak i ako ste već upoznati s njim. Čuvajte ovaj priručnik na sigurnome mjestu da bi vam i kasnije bio pri ruci.

Ove upute također će biti dostupne u drugom formatu, npr. na našoj mrežnoj stranici ili, na zahtjev korisnika, u formatu poput DVD-a.

### **Nikad nemojte raditi sljedeće:**

- Ne pokušavajte rabiti kuhinjsku napu bez filtera za masnoću ili ako su se filtri pretjerano zamastili!
- Nemojte ugrađivati kuhinjsku napu iznad kuhala s povišenom rešetkom.
- Tijekom uporabe tava za pečenje ne ostavljajte ih bez nadzora jer se pregrijane masti ili ulja mogu zapaliti.
- Nikad ne ostavljajte otvoreni plamen ispod kuhinjske nape.



- Ne pokušavajte upotrijebiti kuhinjsku napu ako je oštećena.
- Nemojte flambirati ispod kuhinjske nape.
- OPREZ: Dostupni dijelovi mogu se zagrijati kad se rabe s uređajima za kuhanje.
- Najmanja udaljenost između potporne površine za posude za kuhanje na površini za kuhanje i najnižeg dijela kuhinjske nape. (Ako se kuhinjska napa nalazi iznad plinskog uređaja, udaljenost mora biti najmanje 65 cm.)
- Zrak se ne smije ispuštati u dimovod koji se rabi za ispušne plinove iz uređaja na plin ili druga goriva.



### **Obvezno učinite sljedeće:**

- **Važno!** Uvijek isključite električno napajanje na glavnom električnom vodu prilikom ugradnje i održavanja, kao npr. prilikom zamjene žarulje.
- Kuhinjsku napu treba ugraditi u skladu s uputama za ugradnju i svim mjerama.
- Samo stručna osoba ili kvalificirani električar mogu obaviti ugradnju.
- Molimo pažljivo zbrinite materijal za pakiranje. On može biti opasan za djecu.
- Pazite na oštre rubove u unutrašnjosti kuhinjske nape, osobito tijekom ugradnje i čišćenja
- Kada se kuhinjska napa nalazi iznad plinskog uređaja, najmanja udaljenost između potporne površine za posude za kuhanje na površini za kuhanje i najnižeg dijela kuhinjske nape mora biti:  
Plinska kuhala: 75 cm  
Električna kuhala: 65 cm  
Kuhala na ugljen ili ulje: 75 cm
- Pazite da lukovi vodova nisu oštrije od 90 stupnjeva jer se tako smanjuje učinkovitost kuhinjske nape.
- **Upozorenje:** Ako ne ugradite vijke ili uređaj za pričvršćivanje u skladu s ovim uputama, može doći do opasnosti sa strujom
- **Upozorenje:** Obvezno isključite uređaj iz svih izvora napajanja prije nego što pristupite terminalima.

## Obvezno učinite sljedeće:

- Kad kuhate na plinskom kuhlalu, uvijek stavite poklopac na lonce i tave.
- Kada je u načinu rada za isisavanje, zrak u prostoriji uklanja kuhinjska napa. Pobrinite se za pridržavanje prikladnih propisa provjetravanja. Kuhinjska napa uklanja neugodne mirise u prostoriji, ali ne i paru.
- Kuhinjska je napa predviđena samo za uporabu u kućanstvu.



- Ako je oštećen kabel za napajanje, radi izbjegavanja opasnosti, moraju ga zamijeniti proizvođač, ovlašteni agent ili osobe sličnih kvalifikacija.
- Ovaj uređaj smiju rabiti djeca starosti 8 i više godina te osobe smanjenih fizičkih, osjetilnih ili mentalnih sposobnosti ili bez iskustva i znanja ako su pod nadzorom ili ako su dobili upute o uporabi uređaja na siguran način i ako razumiju opasnosti koje uključuje uporaba uređaja. Djeca se ne smiju igrati s uređajem. Djeca bez nadzora ne smiju čistiti niti održavati uređaj.



- Upozorenje: Obvezno isključite uređaj iz svih izvora napajanja prije nego što pristupite terminalima.

## Obvezno učinite sljedeće:

- **Opres:** Uređaj i njegovi dostupni dijelovi mogu se zagrijati tijekom rada. Pazite da ne dodirujete dijelove koji se zagrijevaju. Djeca mlađa od 8 godina trebaju se držati podalje osim ako su pod stalnim nadzorom.
- Ako se kuhinjska napa rabi istovremeno s uređajima na plin ili druga goriva, obavezno je prikladno provjetriti prostoriju.
- Ako se čišćenje ne obavlja u skladu s uputama, postoji rizik od požara
- Treba se pridržavati propisa o ispuštanju zraka.
- Periodično očistite uređaj sljedeći metodu opisanu u poglavlju ODRŽAVANJE.
- Iz sigurnosnih razloga molimo rabite samo pričvrstne ili montažne vijke iste veličine koji se preporučuju u ovom priručniku s uputama.
- Za dodatne informacije o metodi i učestalosti čišćenja pogledajte odjeljak o održavanju i čišćenju u priručniku s uputama.
- Djeca bez nadzora ne smiju čistiti niti održavati uređaj.
- Uslučaju da su kuhinjska napa i uređaji čije napajanje nije električno uključeni istovremeno, negativni pritisak u prostoriji ne smije prijeći 4 Pa ( $4 \times 10^{-5}$  bar).
- **UPOZORENJE:** Opasnost od požara: ne spremajte predmete na površine za kuhanje.
- **N**e smije se rabiti parni čistač.
- **NIKAD** nemojte pokušavati ugasiti vatru vodom, već isključite uređaj i pokrijte plamen npr. poklopcem ili vatrootpornom dekom.

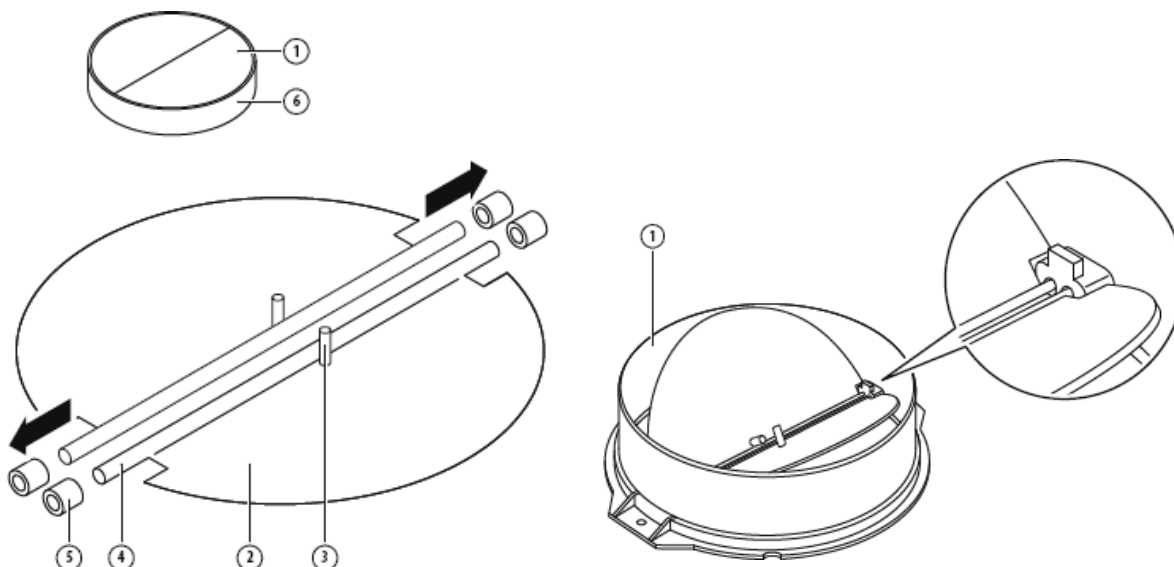
## Ugradnja (vanjski odušnik)

### **MONTAŽA NEPOVRATNOG VENTILA (izborno)**

Ako za kuhinjsku napu nije dostupan sastavljeni nepovratni ventil 1, ugradite njegove polovice u kućište. Slike prikazuju samo primjer jednog načina montaže nepovratnog ventila, ispust se može razlikovati ovisno o modelu i konfiguraciji.

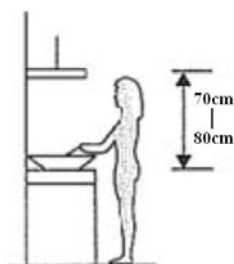
Za montažu nepovratnog ventila 1 postupite na sljedeći način:

- Postavite dvije polovice 2 u kućište 6
- spojnica 3 mora pokazivati prema gore
- ubacite osovinu 4 u otvore kućišta 5
- ponovite ove radnje za drugu polovicu.

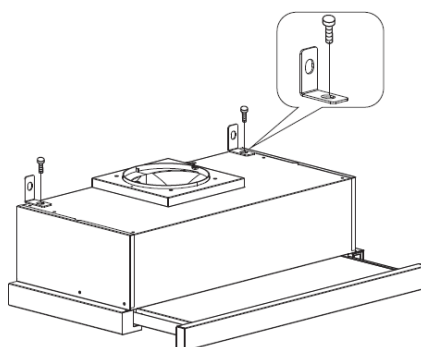


### **UGRADNJA (pričvršćivanje na zid)**

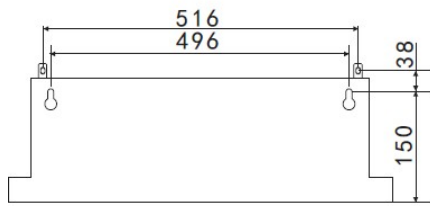
1. Odredite mjesta za otvore za pričvršćivanje kuhinjske nape.



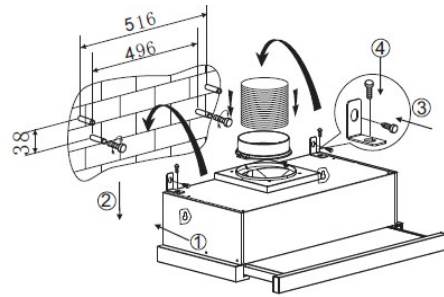
2. Pričvrstite nosače u obliku slova L na gornju površinu kuhinjske nape pomoću dva vijka (4 mm x 10 mm).



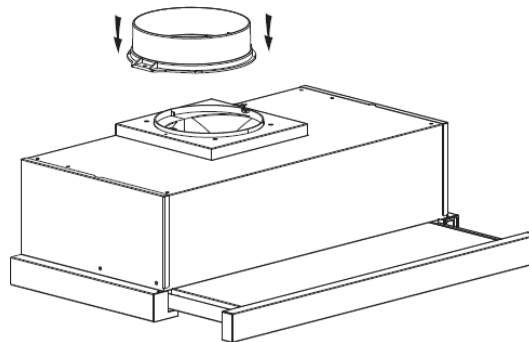
- Kuhinjska napa pričvršćuje se na zid pomoću četiri vijka (4 mm x 30 mm) i tipli za zid. Postavite stražnju stranu kuhinjske nape na zid pomoću dva vijka (4 mm x 30 mm) i tipli za zid. Zatim pričvrstite kuhinjsku napu na zid pomoću dva vijka (4 mm x 30 mm) i tipli za zid koristeći nosače u obliku slova L.



60CM

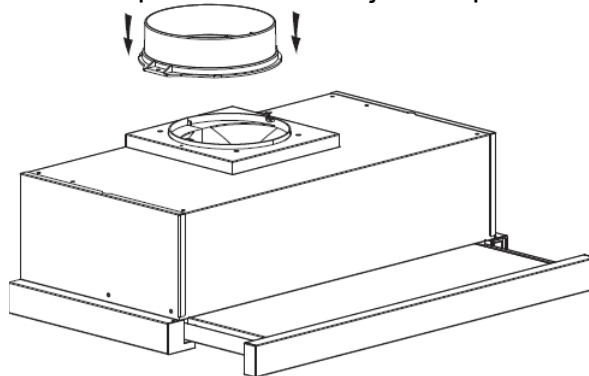


- Pričvrstite nepovratni ventil na ispušni kanal kuhinjske nape.

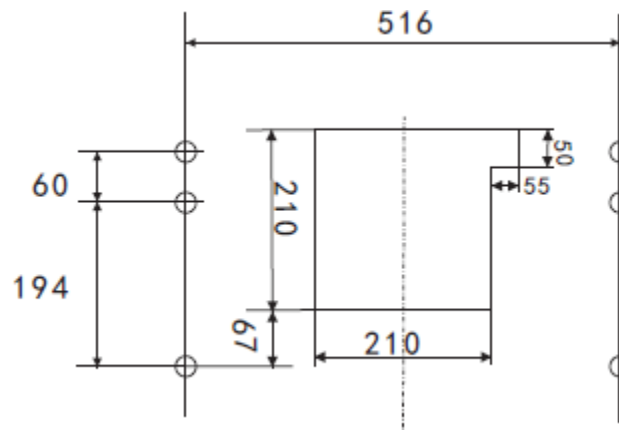


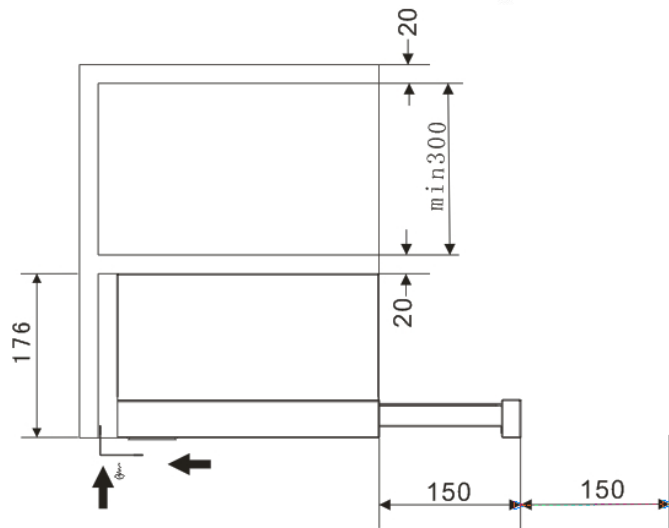
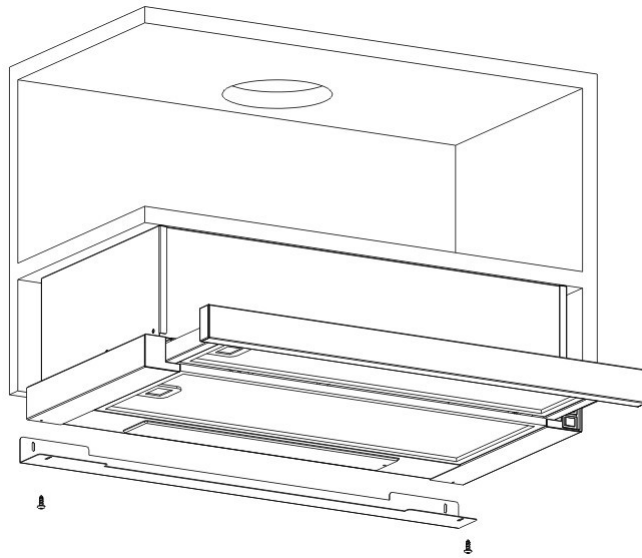
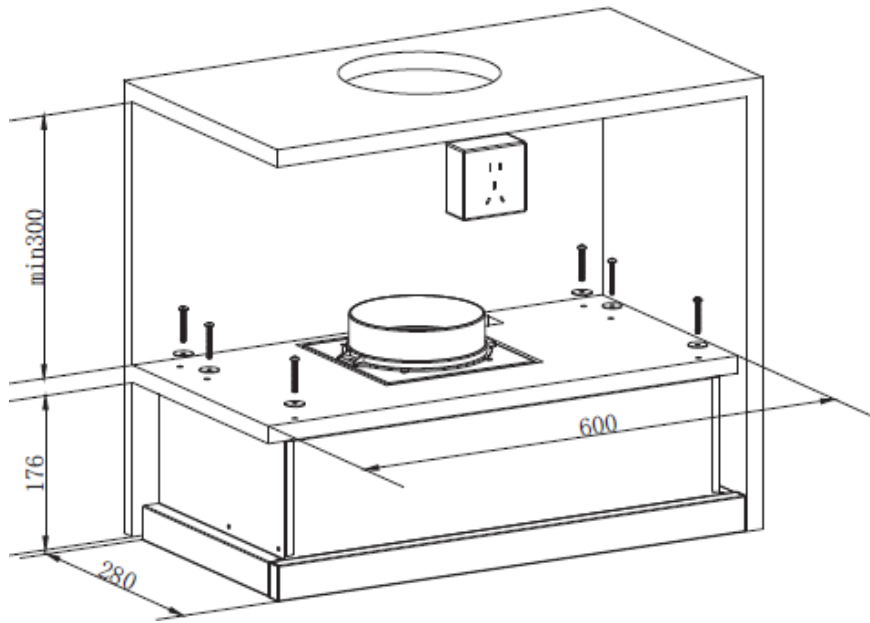
## UGRADNJA (ugradnja u ormarić)

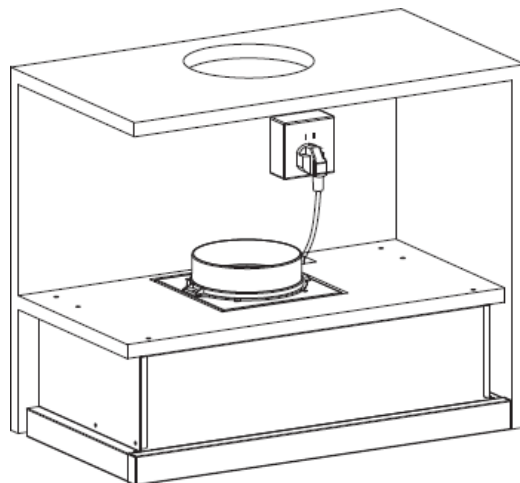
- Pričvrstite nepovratni ventil na ispušni kanal kuhinjske nape.



- Postavite kuhinjsku napu na ormarić pomoću šest vijaka (4 x 35 mm) i ravnih podložaka.







Ako primijetite razmak između zida i kuhinjske nape, možete pričvrstiti nosač u obliku slova L na donju stranu kuhinjske nape pomoću dva vijka (3 x 12 mm).

Pričvršćivanje nosača u obliku slova L nije obvezno. Napomena: Fleksibilna cijev nije uključena u proizvod.

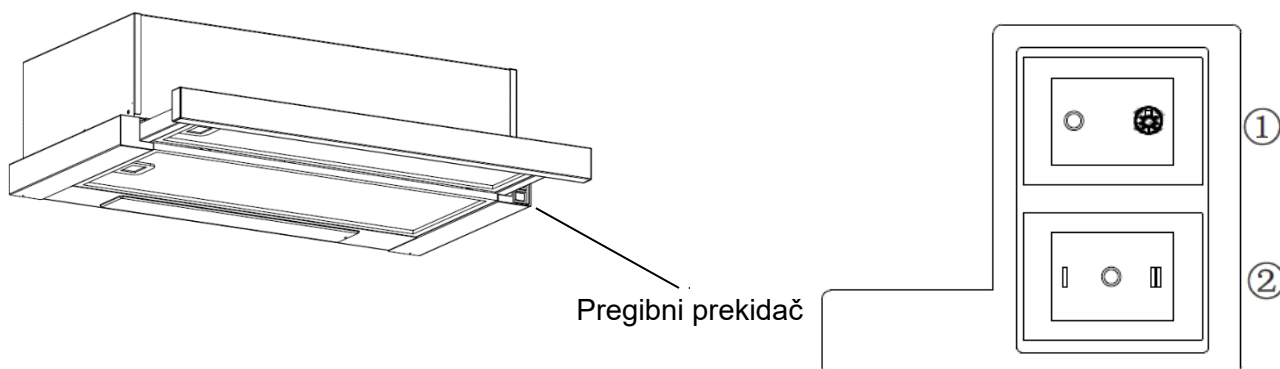
### UPOZORENJE:



- Iz sigurnosnih razloga molimo rabite samo pričvrsne ili montažne vijke iste veličine koji se preporučuju u ovom priručniku s uputama.
- Ako ne ugradite vijke ili uređaj za pričvršćivanje u skladu s ovim uputama, može doći do opasnosti sa strujom.

## Početak rada s kuhinjskom napom

### Pregibni prekidač



1. Utaknite utikač u utičnicu.
2. Ako na prekidaču ① pritisnete, upalit će se svjetlo; ako na prekidaču ① pritisnete „0“, ugasić se svjetlo.
3. Ako na prekidaču ② pritisnete „I, II“, snaga rada motora bit će „niska, visoka“ u dvije brzine, a ako pritisnete „0“, motor će se isključiti.
4. Kada izvučete prednju ploču, napajanje će biti uključeno. U suprotnom će se napajanje automatski isključiti.

## RJEŠAVANJE PROBLEMA

Kvar	Mogući uzroci	Rješenje
Svjetlo je upaljeno, ali motor ne radi	Prekidač ventilatora je isključen.	Odredite položaj prekidača ventilatora.
	Prekidač ventilatora ne radi.	Kontaktirajte servisni centar.
	Motor ne radi.	Kontaktirajte servisni centar.
Svjetlo ne radi, ventilator ne radi.	Osigurači u kući/zgradi su pregorjeli.	Ponovno uključite/zamijenite osigurače.
	Kabel za napajanje nije utaknut ili nije pravilno utaknut u utičnicu.	Ponovno utaknite kabel u utičnicu. Uključite utičnicu.
Propuštanje ulja	Nepovratni ventil i ispus nisu čvrsto zabrtvljeni.	Uklonite nepovratni ventil i zabrtvite pogođeno mjesto materijalom za brtvljenje.
	Propuštanje spoja između dimnjaka i poklopca.	Uklonite dimnjak i zabrtvite pogođeno mjesto.
Svjetla ne rade	Pokvarene/neispravne žarulje	Zamijenite žarulje u skladu s ovim uputama.
Nedovoljna snaga usisa	Preveliki je razmak između kuhinjske nape i plinske ploče.	Pomaknite kuhinjsku napu dok ne postignete odgovarajući razmak.
Kuhinjska napa se naginje.	Pričvrсни vijak nije dovoljno čvrst.	Pričvrstite vijak koji visi i postavite ga u horizontalni položaj.



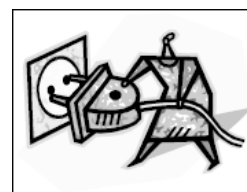
### **NAPOMENA:**

Svi popravci elektronike ovog uređaja moraju biti u skladu s lokalnim, nacionalnim i saveznim zakonima. Ako ste u nedoumici, nazovite servisni centar prije nego što obavite gore navedene radnje. Uvijek isključite jedinicu iz struje prije nego što ju otvorite.

## ODRŽAVANJE I ČIŠĆENJE

### **Oprez:**

- Prije održavanja ili čišćenja kuhinjske nape isključite ju iz glavnog izvora za napajanje. Provjerite je li zidna utičnica kuhinjske nape isključena i utikač uklonjen.
- Vanjske površine podložne su ogrebotinama i abrazijama. Pratite upute za čišćenje da biste osigurali najbolji rezultat bez oštećenja.



## OPĆENITO

Prije čišćenja i održavanja uređaj se mora ohladiti, naročito kada se radi o čišćenju. Nemojte odlagati lužnate ili kisele tvari (sok od limuna, ocat itd.) na površine.

## NEHRĐAJUĆI ČELIK

Potrebno je redovito čišćenje nehrđajućeg čelika (npr. svaki tjedan) radi produljenja životnog vijeka. Osušite površine čistom mekom krpom. Možete koristiti specijalizirani fluid za čišćenje nehrđajućeg čelika.

### NAPOMENA:

Obratite pozornost da brišete uzduž površinske strukture nehrđajućeg čelika da biste izbjegli pojavljivanje neuglednih ogrebotina.

## POVRŠINA UPRAVLJAČKE PLOČE

Umetnuta upravljačka ploča može se čistiti toplom sapunicom. Prije čišćenja provjerite je li krpa čista i dobro iscijeđena. Koristite suhu meku krpu da biste obrisali sve ostatke vlage nakon čišćenja.

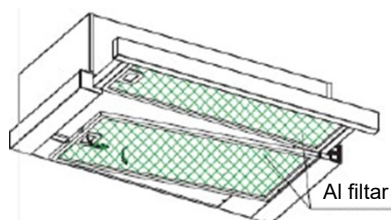
### Važno

Koristite neutralne deterdžente i izbjegavajte korištenje agresivnih kemikalija za čišćenje, jakih deterdženata za kućanstvo ili proizvoda koji sadrže abrazive jer bi se tako oštetio izgled uređaja i eventualno uklonili dekorativni elementi na površini upravljačke ploče, pri čemu se jamstvo proizvođača poništava.

## MREŽNI FILTAR ZA ODMAŠĆIVANJE

Mrežne filtre možete očistiti rukom. U vodu ulijte sredstvo za otapanje masnoća i namačite filtre oko 3 minute, a zatim lagano obrišite mekanom četkom. Da biste izbjegli oštećenje filtra, ne pritišćite prejako. (Ostavite da se prirodno osuši, ne na izravnom suncu).

Filtri se peru odvojeno od posuđa i kuhinjskog pribora. Korištenje sredstva za ispiranje ne preporučuje se.



## UGRADNJA MREŽNIH FILTARA ZA ODMAŠĆIVANJE

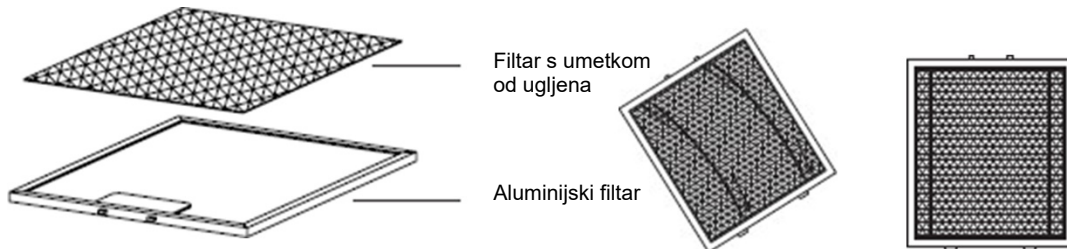
- Ugradite filtre prateći sljedeća četiri koraka.
- Ubacite filter u proreze na stražnjoj strani nape.
- Pritisnite gumb na ručki filtra.
- Pustite ručku kada se filter nalazi u stabilnom položaju.
- Ponovite ove korake da biste ugradili sve filtre.



## FILTAR S UMETKOM OD UGLJENA


Filtar s umetkom od aktivnog ugljena može se rabiti za zadržavanje neugodnih mirisa. Filtar s umetkom od aktivnog ugljena mora obično biti zamijenjen svakih tri do šest mjeseci, ovisno o vašim navikama kuhanja. Postupak ugradnje filtra s umetkom od aktivnog ugljena prikazan je ispod.

1. Postavite filtar s umetkom od ugljena na stražnju stranu aluminijskog filtra.
2. Provućite čeličnu žicu kroz okvir aluminijskog filtra, po jednu na svakoj strani. Morate ju saviti da biste ju ubacili u drugi kraj okvira.
3. Provjerite pričvršćuje li čelična žica filtar s umetkom od ugljena na aluminijski filtar.



### NAPOMENA:

- Pazite da je filtar sigurno zakočen. U suprotnom bi se mogao odvojiti i prouzročiti opasnost.
- Kad je pričvršćen filtar s umetkom od aktivnog ugljena, snižava se snaga usisa.

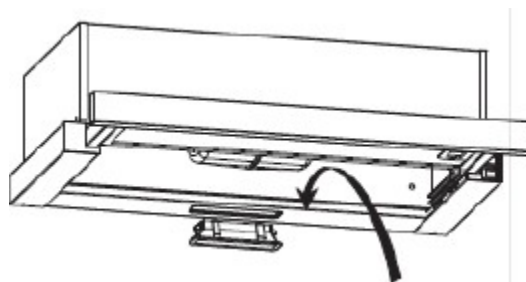
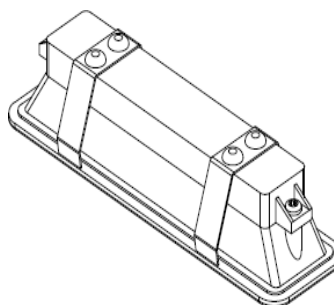
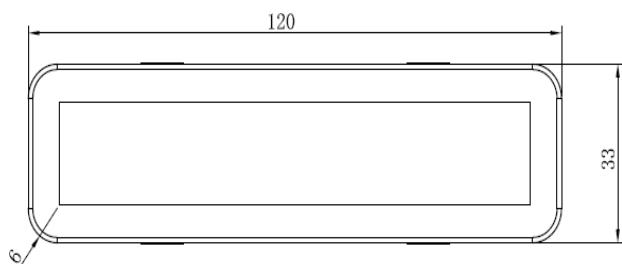
<p><b>Važno:</b></p> 	<ul style="list-style-type: none"><li>✧ Žarulju moraju zamijeniti proizvođač, ovlašteni agent ili osobe sličnih kvalifikacija.</li><li>✧ Uvijek isključite električno napajanje prije bilo kakvih radnji na uređaju. Kada rukujete žaruljom, pričekajte da se potpuno ohladi prije nego što ju izravno dodirujete rukama.</li><li>✧ Kada rukujete žaruljama, držite ih krpom ili rukavicom da biste izbjegavali kontakt žarulje s perspiracijom koja može smanjiti životni vijek žarulje.</li></ul>
---	---

# ZAMJENA ŽARULJE

## Zamijeniti žarulju

Odvijačem otpustite samourezni vijak ST4\*8MM (2 kom) iz rasvjetnog panela i izvadite rasvjetno tijelo. Otvorite kutiju terminala povezanu sa žicom, isključite konektor žice i zamijenite lampu.

- Šifra ILCOS D za žarulju je: DBS-2/65-H-120/33
- LED moduli – pravokutna lampa
- Maksimalna snaga: 1X2 W
- Raspon napona: AC 220-240V
- Dimenzije:



## ZAŠTITA OKOLIŠA



Ovaj je proizvod označen simbolom za selektivno odvajanje otpadne elektroničke opreme. To znači da se ovaj proizvod ne smije zbrinuti s otpadom iz kućanstva, nego prema sustavu selektivnog prikupljanja u skladu s Direktivom 2012/19/EU. Zatim se reciklira ili rastavlja da bi se utjecaje na okoliš svelo na najmanju moguću mjeru; električni i elektronički proizvodi potencijalno su opasni za okoliš i ljudsko zdravlje zbog prisustva opasnih tvari. Za više informacija, obratite se svojim lokalnim ili regionalnim tijelima.

## NAPOMENA:

Sljedeće upute prikazuju kako smanjiti ukupni utjecaj (npr. uporaba energije) postupka kuhanja na okoliš.

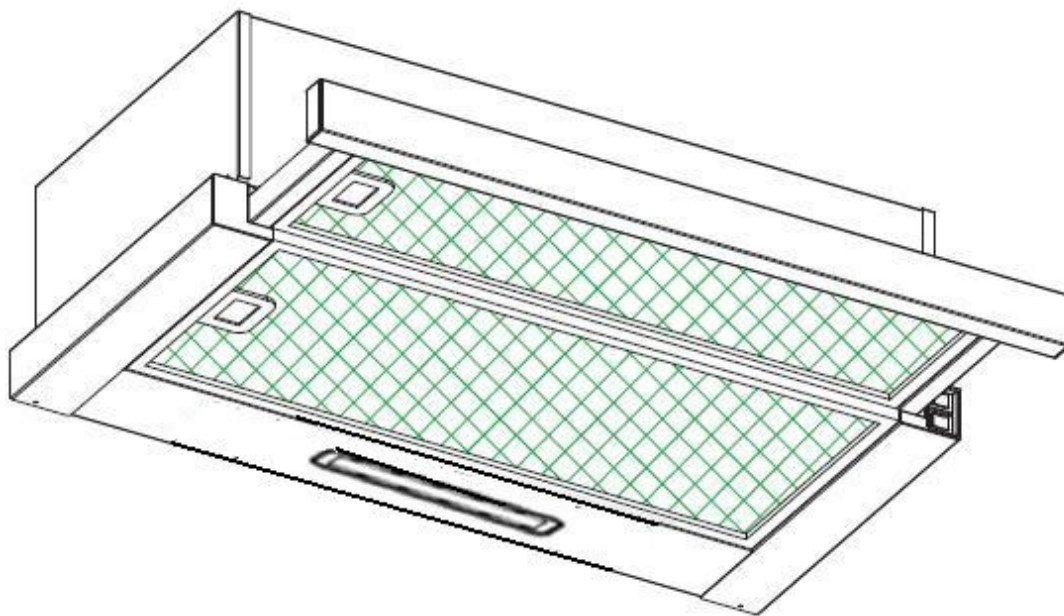
- (1) Ugradite kuhinjsku napu na prikladno mjesto, gdje je provjetranje učinkovito.
- (2) Redovno čistite kuhinjsku napu da se ne bi začepio protok zraka.
- (3) Ne zaboravite ugaziti svjetlo kuhinjske nape nakon kuhanja.
- (4) Ne zaboravite isključiti kuhinjsku napu nakon kuhanja.

## INFORMACIJE ZA RASTAVLJANJE

Ne rastavljajte uređaj na način koji nije prikazan u korisničkom priručniku. Korisnik ne može rastaviti uređaj. Na kraju životnog vijeka uređaja, uređaj se ne smije zbrinuti s otpadom iz domaćinstva. Za savjete o recikliranju, obratite se vašem lokalnom tijelu.

# Exaustor

## Manual de instruções



# Conteúdo

1.....	Instruções de segurança
2.....	Instalação (vent exterior)
3.....	Começar a usar o seu exaustor
4.....	Resolução de problemas
5.....	Manutenção e limpeza
6.....	Proteção Ambiental

# INSTRUÇÕES DE SEGURANÇA

Este manual explica a instalação e utilização correta do seu exaustor e deve ser lido atentamente antes de usar o aparelhos, mesmo quando já conhece o produto. O manual deve ser mantido num local seguro para referência futura.

Estas instruções também estão disponíveis em formato alternativo, ex. para download do site ou, a pedido do utilizador, num formato do tipo DVD.

## Nunca:

- Tentar usar o exaustor sem os filtros de gordura ou se esses mesmos filtros estiverem excessivamente gordurosos!
- Não instalar por cima de um fogão com uma grelha de alto nível.
- Não deixar frigideiras sem vigilância durante a utilização, pois gorduras ou óleos superaquecidos podem incendiar.
- Nunca deixar chamas livres debaixo do exaustor.



- Se o exaustor estiver danificado, não tente usá-lo.
- Não flambejar debaixo do exaustor.
- CUIDADO: As partes acessíveis podem aquecer quando usadas com aparelhos de cozedura.
- Distância mínima entre a superfície de suporte para os recipientes de cozedura na placa e na parte mais baixa do exaustor. (Quando o exaustor estiver situado sobre um aparelho a gás, esta distância deve ser, no mínimo, 65 cm)
- Adescarga do ar não deve ser para um tubo usado para exaustão de fumo de aparelhos que queimam gás ou outros combustíveis.



## Deve:

- Importante! Desligar sempre o fornecimento de energia elétrica durante a instalação e manutenção como é o caso da substituição de lâmpadas.
- O exaustor deve ser instalado de acordo com as instruções de instalação e todas as medições cumpridas.
- Todo o trabalho de instalação deve ser realizado por um técnico ou por um eletricista qualificado.
- Elimine os materiais de embalagem com cuidado. As crianças são vulneráveis às mesmas.
- Preste atenção aos rebordos afiados no interior do exaustor, especialmente durante a instalação e a limpeza.
- Quando o exaustor está localizado por cima de um aparelho a gás, a distância mínima entre a superfície de apoio dos recipientes de cozedura na placa e a parte mais baixa do exaustor deve ser:  
Fogões a gás: 75 cm  
Fogões elétricos: 65 cm  
Fogões a carvão ou a óleo: 75 cm
- Certifique-se de que a conduta não tem curvas mais acentuadas do que 90 graus, pois isto reduzirá a eficiência do exaustor.
- Aviso: A não instalação dos parafusos ou do dispositivo de fixação de acordo com estas instruções pode resultar em riscos elétricos.
- Aviso: Antes de obter acesso aos terminais, todos os circuitos de alimentação devem ser desligados.

## Deve:

- Coloque sempre tampas nas panelas e nas frigideiras quando cozinhar num fogão a gás.
- Durante o modo de extração, o ar da sala é removido pelo exaustor. Certifique-se de que são observadas as medidas adequadas de ventilação. O exaustor remove odores mas não o vapor.
- Este exaustor é apenas para uso doméstico.



- Se o cabo de alimentação estiver danificado, deve ser substituído pelo fabricante, pelo seu agente de serviço ou por pessoas qualificadas, para evitar perigo.
- Este equipamento pode ser usado por crianças a partir dos 8 anos de idade e por pessoas com incapacidade física, sensorial ou mental, ou sem experiência e conhecimentos para o fazer, desde que supervisionadas ou devidamente orientadas relativamente ao uso seguro do equipamento e sobre os perigos envolvidos. As crianças não podem brincar com o equipamento. A limpeza e a manutenção não deve ser realizada por crianças sem a supervisão de um adulto.



- **Aviso:** Antes de obter acesso aos terminais, todos os circuitos de alimentação devem ser desligados.

## Deve:

- **Cuidado:** O equipamento e as partes acessíveis podem estar quentes durante a utilização. Evite tocar nos elementos de aquecimento. As crianças com menos de 8 anos devem manter-se afastadas, exceto quando permanentemente supervisionadas.
- Deve existir ventilação adequada quando o exaustor é usado ao mesmo tempo que os aparelhos que queimam gás ou outros combustíveis.
- Existe risco de incêndio se a limpeza não for realizada de acordo com as instruções
- Os regulamentos relativos a descarga de ar devem ser cumpridos.
- Limpe o seu aparelho periodicamente seguindo o método indicado no capítulo **MANUTENÇÃO**.
- Por razões de segurança, use apenas o mesmo tamanho de parafusos de fixação ou de montagem recomendados neste manual de instruções.
- Relativamente aos detalhes sobre o método e frequência de limpeza, consulte a secção de manutenção e limpeza no manual de instruções.
- As tarefas de limpeza e de manutenção não devem ser realizadas por crianças sem a supervisão de um adulto.
- Quando o exaustor e dispositivos são alimentados por energias diferentes da eletricidade estão em operação simultânea, a pressão negativa na cozinha não deve exceder 4 Pa (4 x 10<sup>-5</sup> bar).
- **AVISO:** Perigo de incêndio - não coloque nada sobre as superfícies de cozedura.
- **Não** deve ser usada limpeza a vapor.
- **NUNCA** tente apagar um fogo com água! Desligue o equipamento e tape a chama com, por exemplo, uma tampa ou um cobertor de fogo.

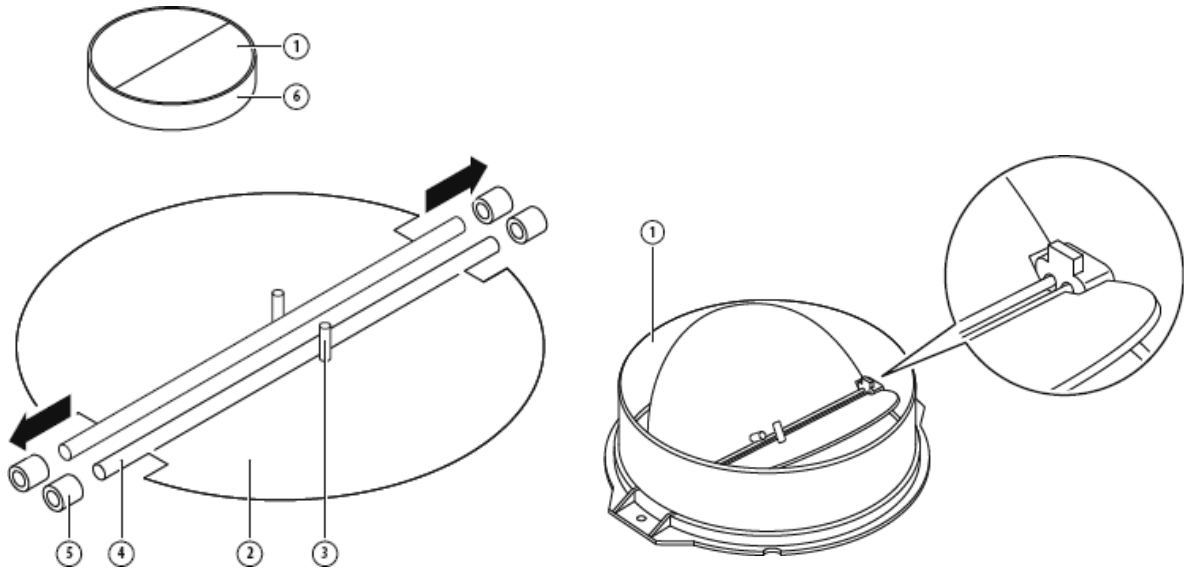
## Instalação (vent exterior)

### MONTAGEM DA V-FLAP (Opcional)

Se o exaustor não tiver uma V-flap montada 1, deve montar as meias-partes na sua estrutura. As imagens mostram apenas um exemplo de como montar a V-flap, podendo a saída ser variada de acordo com os diferentes modelos e configurações.

Para montar a V-flap 1 deve:

- Montar duas meias partes 2 na estrutura 6
- orientar para cima um pino 3;
- inserir o eixo 4 nos orifícios 5 da estrutura;
- repetir todas as operações para a 2ª meia parte

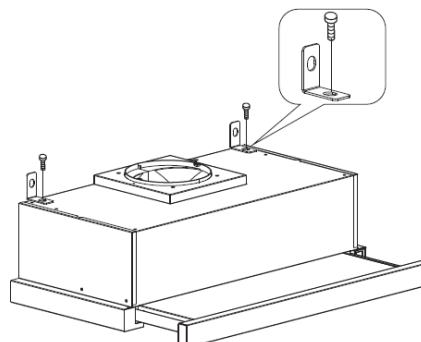


### INSTALAÇÃO (Montagem Mural)

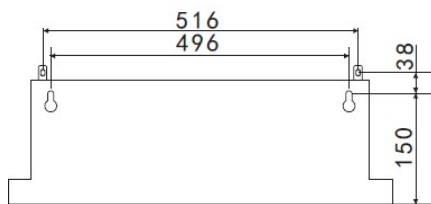
1. Decida a localização dos orifícios para a fixação do exaustor.



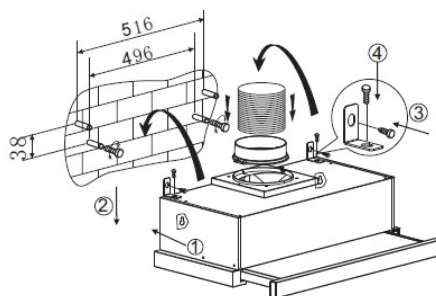
2. Instale o suporte em forma de L na parte superior do exaustor com dois parafusos (4 mm x 10 mm)



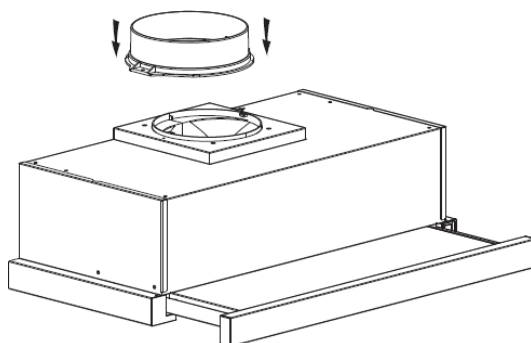
- O exaustor é montado na parede com 4 parafusos (4 mm x 30 mm) e buchas. Monte o exaustor na parede na parte de trás do exaustor com 2 parafusos (4 mm x 30 mm) e buchas. De seguida, fixe o exaustor na parede com 2 parafusos (4 mm x 30 mm) e as buchas através do pequeno suporte em forma de L



60CM

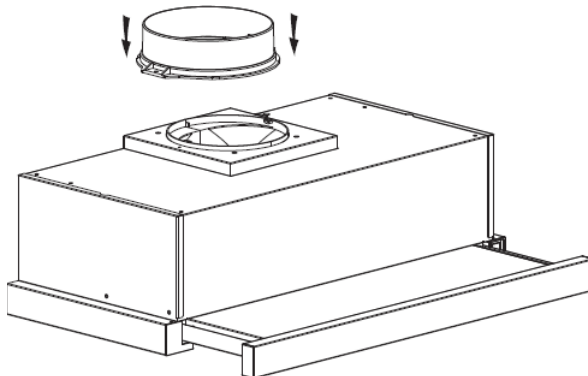


- Fixe a válvula unidirecional à saída de ar do exaustor.

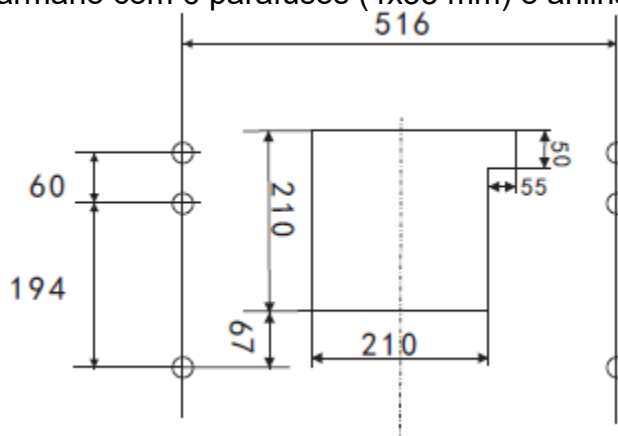


## INSTALAÇÃO (Montagem em Armário)

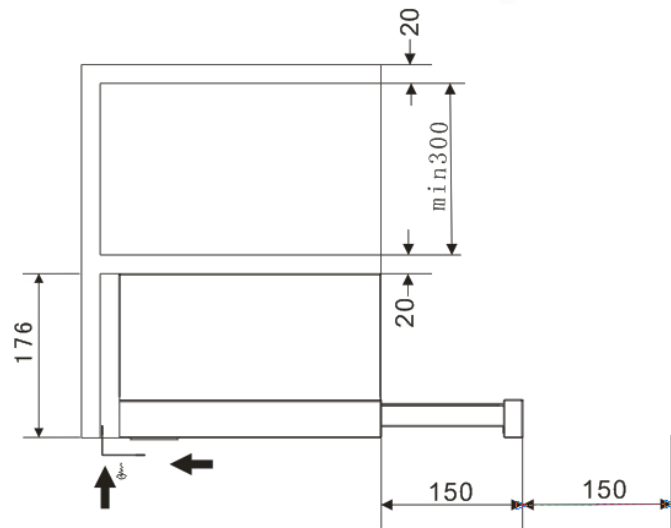
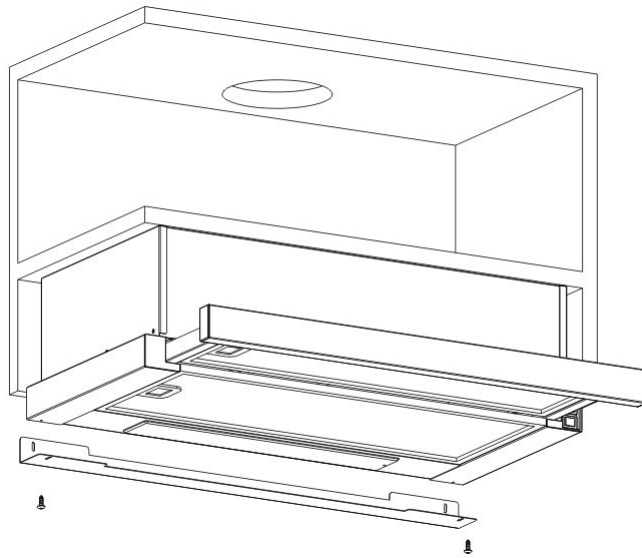
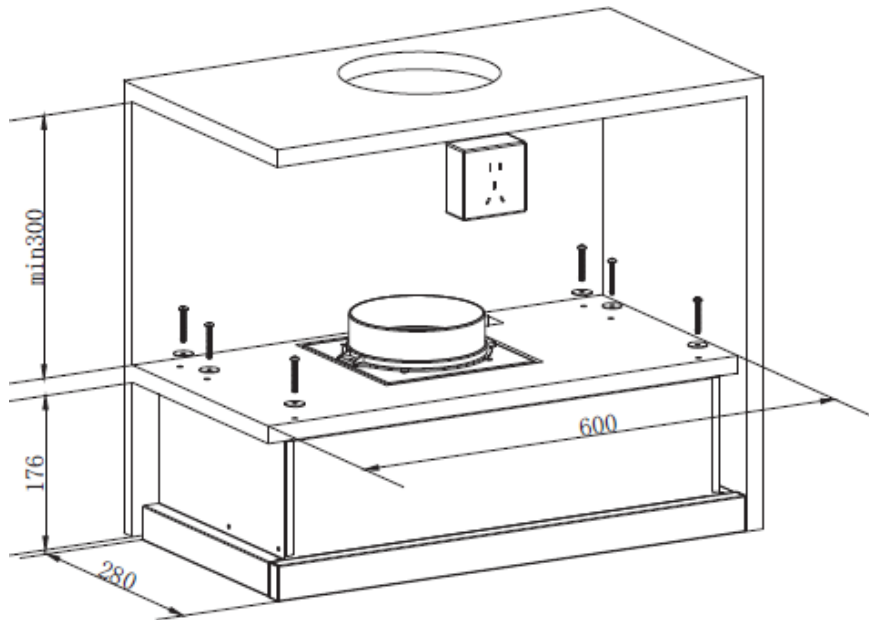
- Fixe a válvula unidirecional à saída de ar do exaustor.

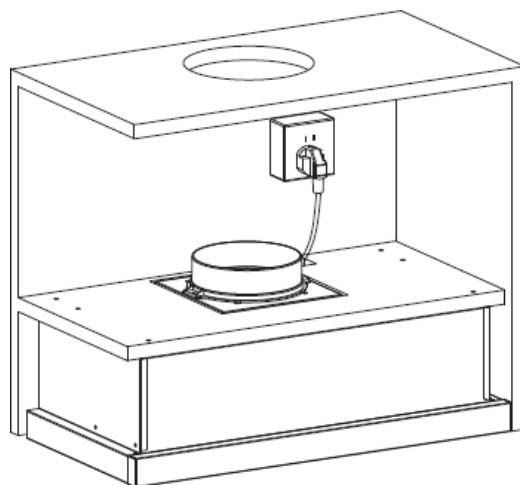


- Monte o exaustor no armário com 6 parafusos (4x35 mm) e anilhas planas.








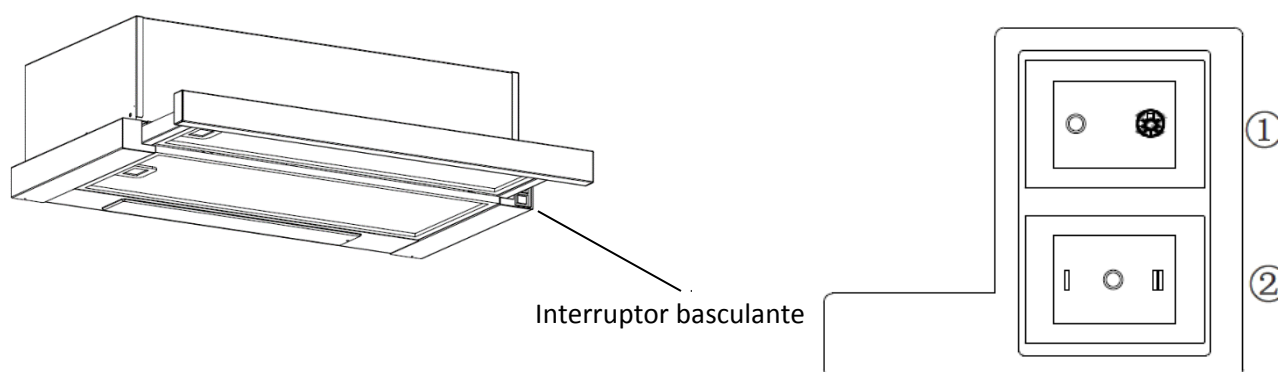


Se ficar algum espaço entre a parede e o exaustor, pode instalar o suporte em forma de L na parte inferior do exaustor com dois parafusos (3 x 12 mm). A instalação do suporte em forma de L é opcional. Nota: O tubo de expansão não está incluído no produto.

<p><b>AVISO:</b></p> 	<ul style="list-style-type: none"> <li>➤ Por razões de segurança, use apenas o mesmo tamanho de parafusos de fixação ou de montagem recomendados neste manual de instruções.</li> <li>➤ A não instalação dos parafusos ou do dispositivo de fixação de acordo com estas instruções pode resultar em riscos elétricos..</li> </ul>
---	---

## **Começar a usar o seu exaustor**

### **Interruptor basculante**



1. Ligue a ficha de alimentação à tomada elétrica.
2. Posicionar o interruptor ① para, acende a lâmpada; posicionar o interruptor ① para "0", apaga a lâmpada.
3. Posicionar o interruptor ② para "I, II", liga o motor em duas velocidades "baixa, alta"; posicionar o interruptor para "0", desliga o motor.
4. A alimentação é ligada quando retira o painel frontal. Inversamente, a energia elétrica é desligada automaticamente.

## **RESOLUÇÃO DE PROBLEMAS**

<b>Falha</b>	<b>Possível Causa</b>	<b>Solução</b>
Luz acesa, mas o motor não funciona	Interruptor do ventilador desligado	Selecione uma posição do interruptor do ventilador.
	Falha do interruptor do ventilador	Contactar o centro de serviços.
	O motor falhou	Contactar o centro de serviços.
A lâmpada não funciona, o motor não funciona	Fusíveis da casa queimados	Reiniciar/Substituir os fusíveis.
	Cabo de alimentação solto ou desligado	Volte a colocar o cabo na tomada elétrica. Ligue a tomada elétrica.
Fuga de óleo	Uma válvula unidirecional e a tomada não estão bem vedadas	Retire a válvula unidirecional e vede com selante.
	Fuga da ligação da chaminé e tampa	Retire a chaminé e vede.
As lâmpadas não funcionam	Globos partidos/com defeito	Substitua os globos de acordo com esta instrução.
Sucção insuficiente	A distância entre o exaustor e o bocal de gás é demasiada	Coloque novamente o exaustor à distância correta.
O exaustor está inclinado	O parafuso de fixação não está bem apertado	Aperte o parafuso de suspensão e coloque-o na horizontal.



### **NOTA:**

Todas as reparações elétricas neste aparelho devem estar de acordo com as leis locais, estatais e federais. Entre em contacto com o centro de serviços se tiver alguma dúvida antes de realizar qualquer uma das tarefas acima. Ao abrir a unidade, desligue-a sempre da fonte de alimentação

## **MANUTENÇÃO E LIMPEZA**

### **Cuidado:**

- Antes da manutenção ou limpeza, o exaustor deve ser desligado da fonte de alimentação principal. Certifique-se de que o exaustor está desligado da tomada e que a ficha foi removida.
- As superfícies externas são suscetíveis a arranhões e abrasões, pelo que, siga as instruções de limpeza para garantir que é obtido o melhor resultado possível sem danos.



## GERAL

A limpeza e a manutenção devem ser realizadas com o aparelho frio, especialmente durante a limpeza. Evite deixar substâncias alcalinas ou ácidas (sumo de limão, vinagre, etc.) nas superfícies.

## AÇO INOXIDÁVEL

O aço inoxidável deve ser limpo regularmente (por exemplo, semanalmente) para garantir uma longa duração. Seque com um pano limpo e macio. Pode ser usado um líquido de limpeza de aço inoxidável especializado.

### NOTA:

Assegure-se de que a limpeza é feita ao longo do grão do aço inoxidável para impedir o aparecimento de algum tipo de riscos cruzados.

## SUPERFÍCIE DO PAINEL DE CONTROLO

O painel de controlo embutido pode ser limpo com água morna e sabão. Antes de limpar, certifique-se de que o pano que vai usar está limpo e bem torcido. Use um pano macio e seco para remover qualquer excesso de humidade depois da limpeza.

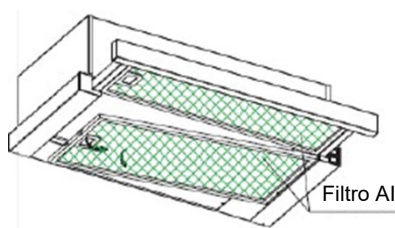
### Importante

Use detergentes neutros e evite usar produtos químicos abrasivos, detergentes domésticos fortes ou produtos que contenham abrasivos, porque isto irá afetar o aspeto do aparelho e possivelmente remover qualquer impressão no painel de controlo, o que anula a garantia do fabricante.

## FILTROS DE GORDURA EM MALHA

Os filtros de malha podem ser limpos manualmente. Mergulhe-os durante cerca de 3 minutos em água morna com um detergente anti gordura e, de seguida, escove-os suavemente com uma escova macia. Não aplique demasiada pressão para evitar danificar os filtros. (Deixe secar naturalmente protegidos da luz direta do sol)

Os filtros devem ser lavados separadamente das louças e utensílios de cozinha. É aconselhável não usar abrillantador.



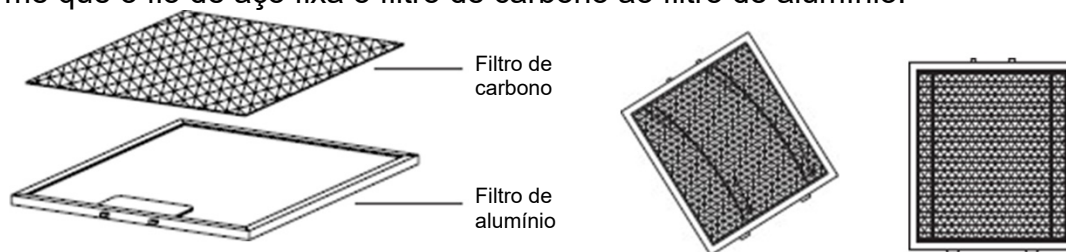
## INSTALAR FILTROS DE GORDURA EM MALHA

- Para instalar os filtros siga as quatro etapas seguintes.
- Coloque o filtro nas ranhuras na parte de trás do exaustor.
- Pressione o botão na pega do filtro.
- Liberte o manípulo logo que o filtro encaixe na posição de repouso.
- Repetir para instalar todos os filtros.

## FILTRO DE CARBONO


O filtro de carvão ativado pode ser usado para capturar odores. Normalmente, o filtro de carvão ativado deve ser substituído a cada três ou seis meses, de acordo com a frequência com que cozinha. O procedimento de instalação do filtro de carvão ativado é indicado abaixo.

1. Coloque o filtro de carbono na parte de trás do filtro de alumínio.
2. Insira o fio de aço na estrutura do filtro de alumínio, um de cada lado. É necessário dobrá-lo para inserir na outra extremidade da estrutura.
3. Confirme que o fio de aço fixa o filtro de carbono ao filtro de alumínio.



### NOTA:

- Verifique se o filtro está bem bloqueado. Caso contrário, pode soltar-se e ser perigoso.
- Quando o filtro de carvão ativado estiver colocado, a potência de sucção será inferior.

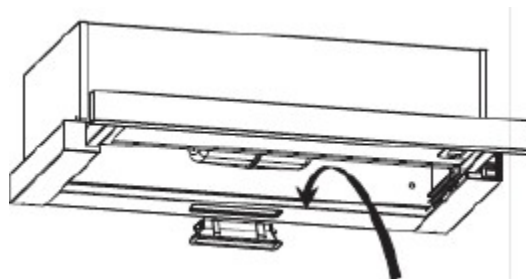
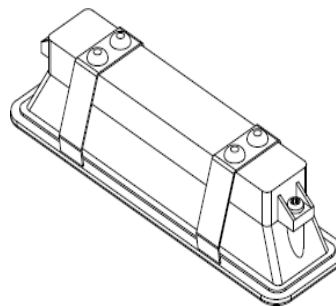
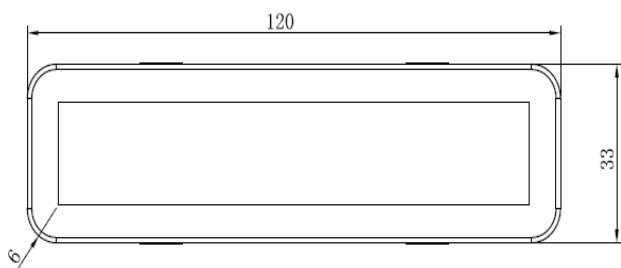
<p><b>Importante:</b></p> 	<ul style="list-style-type: none"><li>✧ A lâmpada deve ser substituída pelo fabricante, agente de serviço ou pessoa com qualificação similar.</li><li>✧ Desligue sempre a alimentação elétrica antes de realizar qualquer operação no aparelho. Ao manusear a lâmpada, certifique-se de que está fria antes de tocar diretamente com as mãos.</li><li>✧ Ao manusear os globos, segure-os com um pano ou luvas para garantir que a transpiração não entra em contacto com o globo, porque isto pode reduzir a vida útil do globo.</li></ul>
--	--

## SUBSTITUIÇÃO DA LÂMPADA

### Substituição da lâmpada

Com a chave de parafuso solte o parafuso auto-roscante ST4\*8MM (2pcs) do painel de iluminação e retire o aparelho de iluminação. Abra a caixa de terminais ligada ao fio, desligue o conector do fio e substitua a lâmpada.

- O código ILCOS D para esta lâmpada é: DBS-2/65-H-120/33
- Módulos LED – lâmpada retangular
- Potência máx.: 1x2 W
- Gama de tensão: CA 220-240V
- Dimensões:



## **PROTEÇÃO AMBIENTAL**



Este produto está marcado com o símbolo de triagem seletiva de resíduos de equipamentos eletrónicos. Isto significa que este produto não deve ser eliminado junto com o lixo doméstico, mas deve ser suportado por um sistema de recolha seletiva de acordo com a Diretiva 2012/19/EU. Deverá ser reciclado ou desmontado para minimizar os impactos no meio ambiente, já que os produtos elétricos e eletrónicos são potencialmente perigosos para o meio ambiente e para a saúde humana devido à presença de substâncias perigosas. Para mais informações, contacte as autoridades locais ou regionais.

### **NOTA:**

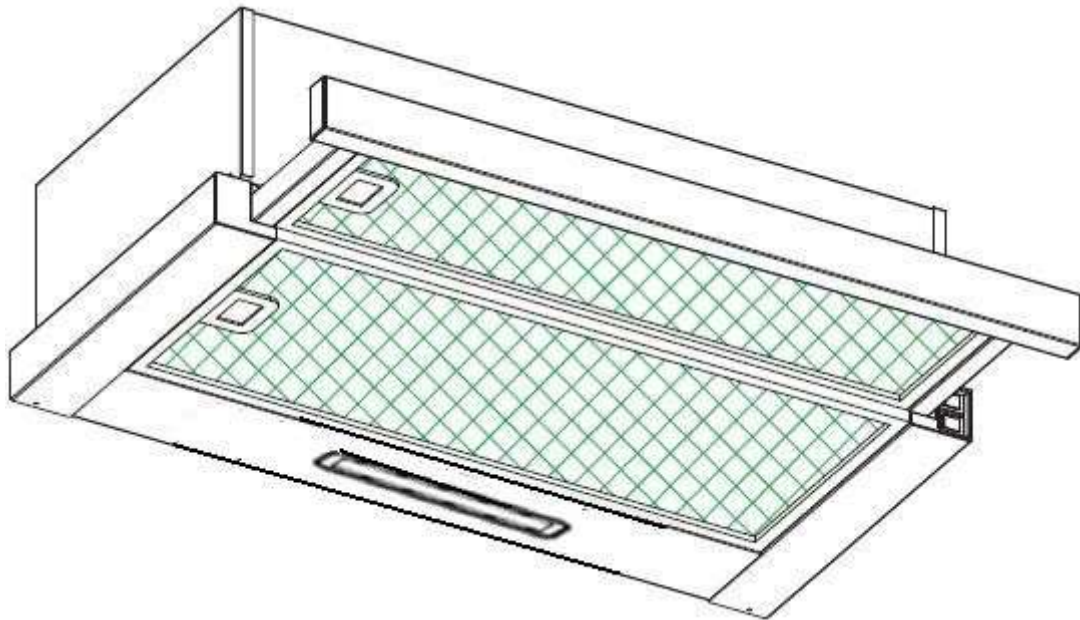
A seguir é apresentado como reduzir o impacto ambiental total (por exemplo, uso de energia) do processo de cozedura).

- (1) Instale o exaustor num local adequado onde exista ventilação eficiente.
- (2) Limpe o exaustor regularmente para não obstruir as vias aéreas.
- (3) Lembre-se de desligar a luz do exaustor depois de cozinhar.
- (4) Lembre-se de desligar o exaustor depois de cozinhar.

### **INFORMAÇÃO PARA DESMONTAGEM**

Não desmonte o aparelho de uma forma contrária à apresentada no manual do utilizador. O aparelho não pode ser desmontado pelo utilizador. No final de vida, o aparelho não deve ser eliminado em conjunto com o lixo doméstico. Consulte as autoridades locais ou o revendedor sobre como proceder relativamente à reciclagem.

# Dunstabzugshaube Gebrauchsanweisung



# Inhalt

1.....	Sicherheitsanweisungen
2.....	Installation
3.....	Erste Nutzung Ihrer Abzugshaube
4.....	Fehlerbehebung
5.....	Wartung und Reinigung
6.....	Umweltschutz



## SICHERHEITSHINWEISE

Diese Bedienungsanleitung erklärt die richtige Installation und Verwendung Ihrer Abzugshaube. Bitte lesen Sie sie vor der Benutzung sorgfältig durch, auch wenn Sie mit dem Produkt vertraut sind. Die Bedienungsanleitung sollte zum späteren Nachschlagen an einem sicheren Ort aufbewahrt werden.

Diese Anweisungen sind auch in alternativen Formaten verfügbar, z. B. auf einer Website oder auf Anfrage als DVD.

### Falsche Anwendung:

- Die Abzugshaube nicht ohne die Fettfilter oder bei zu fettigen Filtern benutzen.
- Nicht über einem Kocher mit hoher Grillposition installieren
- Lassen Sie Pfannen während des Gebrauchs nicht unbeaufsichtigt, da überhitzte Fette oder Öle Feuer fangen können.
- Niemals offene Flammen unter der Abzugshaube brennen lassen.



- Wenn die Abzugshaube beschädigt ist, darf Sie keinesfalls benutzt werden.
- Unter der Abzugshaube nicht flambieren.
- VORSICHT: Zugängliche Teile können bei der Verwendung mit Kochgeräten heiß werden.
- Den Mindestabstand zwischen der Auflagefläche für die Kochgefäße auf dem Kochfeld und dem untersten Teil der Abzugshaube beachten. (Wenn sich die Abzugshaube über einem Gasgerät befindet, muss dieser Abstand mindestens 65 cm betragen).
- Die Luft darf nicht in einen Rauchabzug geleitet werden, der zur Absaugung von Rauch aus Geräten zur Verbrennung von Gas oder anderen Brennstoffen verwendet wird.



### Richtige Anwendung:

- Wichtig! Schalten Sie bei Installation und Wartung, wie z.B. Glühlampenwechsel, immer die Stromzufuhr am Netz ab.
- Die Abzugshaube muss gemäß der Montageanleitung und unter Beachtung aller Maßangaben installiert werden.
- Sämtliche Installationsarbeiten müssen von einer fachkundigen Person oder einem ausgebildeten Elektriker ausgeführt werden.
- Bitte entsorgen Sie das Verpackungsmaterial sorgfältig. Für Kinder ist das Verpackungsmaterial gefährlich.
- Achten Sie besonders bei der Montage und Reinigung auf die scharfen Kanten im Inneren der Abzugshaube.
- Wenn sich die Dunstabzugshaube über einem Gasgerät befindet, muss der Mindestabstand zwischen der Auflagefläche für die Kochgefäße auf dem Kochfeld und dem untersten Teil der Abzugshaube folgendem Wert entsprechen:

Gasherde:	75 cm
Elektrokocher:	65 cm
Kohle- oder Ölkocher:	75 cm
- Stellen Sie sicher, dass die Leitung keine scharfen Biegungen von mehr als 90 Grad aufweist, da dies die Effizienz der Abzugshaube beeinträchtigt.
- Warnung: Wenn die Schrauben oder Befestigungen nicht gemäß dieser Anleitung montiert werden, kann dies zu elektrischen Gefahren führen.
- Warnung: Bevor Sie Zugang zu den Klemmen erhalten, müssen alle Versorgungsstromkreise getrennt werden.

## Richtige Anwendung:

- Beim Kochen auf einem Gaskocher immer Deckel auf Töpfe und Pfannen setzen.
- Im Absaugmodus wird die Raumluft von der Abzugshaube abgeführt. Achten Sie auf die Einhaltung der Lüftungsmaßnahmen. Die Abzugshaube entfernt Gerüche aus dem Raum, aber keinen Dampf.
- Diese Abzugshaube ist nur für den häuslichen Gebrauch vorgesehen.



- Ein beschädigtes Netzkabel muss vom Hersteller, dem zugelassenen Kundendienst oder ähnlich qualifizierten Stellen ausgewechselt werden, um Gefahren vorzubeugen.
- Dieses Gerät darf von Kindern ab 8 Jahren und Personen mit eingeschränkten körperlichen, sensorischen oder geistigen Fähigkeiten oder ohne Erfahrung und Wissen nur benutzt werden, wenn sie beaufsichtigt werden oder Anweisungen für den sicheren Gebrauch des Geräts erhalten und die damit verbundenen Gefahren verstanden haben. Kinder dürfen keinesfalls mit dem Gerät spielen. Kinder dürfen das Gerät nur unter Beaufsichtigung reinigen und instandhalten.



- Warnung: Bevor Sie Zugang zu den Klemmen erhalten, müssen alle Versorgungsstromkreise getrennt werden.

## Richtige Anwendung:

- Vorsicht: Das Gerät und dessen zugängliche Teile können während des Betriebs heiß werden. Achten Sie darauf, dass Sie die Heizelemente nicht berühren. Kinder unter 8 Jahren sollten sich fern halten, es sei denn, sie stehen unter ständiger Aufsicht.
- Es muss eine ausreichende Belüftung des Raumes gewährleistet sein, wenn die Abzugshaube gleichzeitig mit Geräten zur Verbrennung von Gas oder anderen Brennstoffen verwendet wird.
- Es besteht Brandgefahr, wenn die Reinigung nicht vorschriftsmäßig durchgeführt wird.
- Vorschriften über den Luftaustritt sind zu erfüllen.
- Reinigen Sie das Gerät regelmäßig, indem Sie die im Kapitel WARTUNG beschriebene Methode befolgen.
- Aus Sicherheitsgründen verwenden Sie bitte nur die gleiche Größe der Befestigungs- oder Montageschrauben gemäß Angaben in dieser Bedienungsanleitung.
- Bezüglich der Details über die Art und Häufigkeit der Reinigung lesen Sie bitte den Abschnitt Wartung und Reinigung in der Bedienungsanleitung.
- Kinder dürfen das Gerät nur unter Beaufsichtigung reinigen und instandhalten.
- Wenn die Abzugshaube und Geräte, die mit anderer Energie als Strom versorgt werden, gleichzeitig in Betrieb sind, darf der Unterdruck im Raum 4 Pa ( $4 \times 10^{-5}$  bar) nicht überschreiten.
- WARNUNG: Brandgefahr: Keine Gegenstände auf der Kochfläche liegen lassen!
- Keinen Dampfreiniger verwenden.
- Versuchen Sie NIEMALS, einen Brand mit Wasser zu löschen, sondern schalten Sie das Gerät aus und ersticken Sie die Flamme dann (z. B. mit einem Deckel oder einer Feuerlöschdecke).

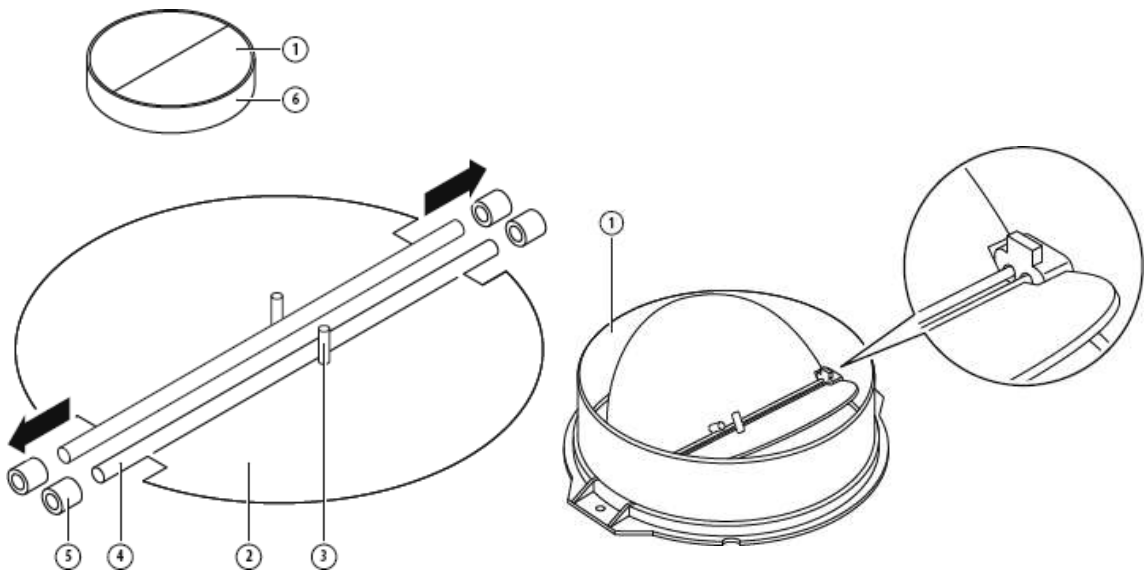
# **INSTALLATION (ENTLÜFTUNG AUSSEN)**

## **MONTAGE DER V-KLAPPE (optional)**

Wenn die Abzugshaube keine montierte V-Klappe (1) hat, sollten die Halfteile an ihrem Gehäuse befestigt werden. Die Abbildungen zeigen lediglich ein Beispiel für die Montage der V-Klappe. Der Auslass kann je nach Modell und Konfiguration unterschiedlich sein.

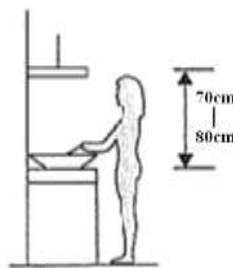
Montage der V-Klappe 1:

- 2 Halfteile (2) am Gehäuse (6) anbringen
- der Stift (3) muss nach oben zeigen;
- die Achse (4) in die Bohrungen (5) am Gehäuse einschieben.
- Wiederholen Sie diese Operationen für das 2. Halfteil.

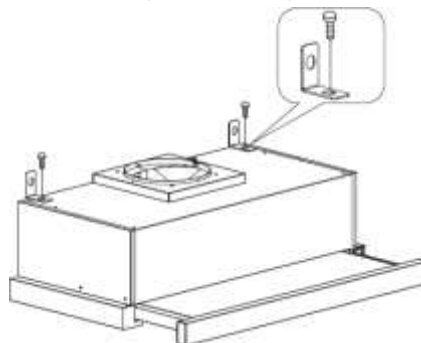


## **INSTALLATION (Wandmontage)**

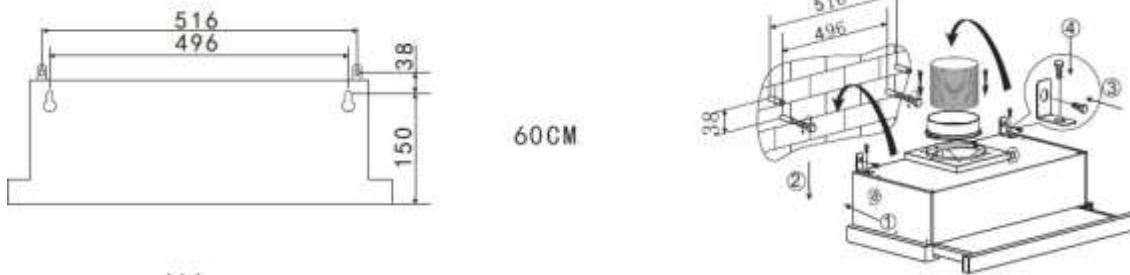
1. Legen Sie die Lage der Bohrungen für die Befestigung der Dunstabzugshaube fest.



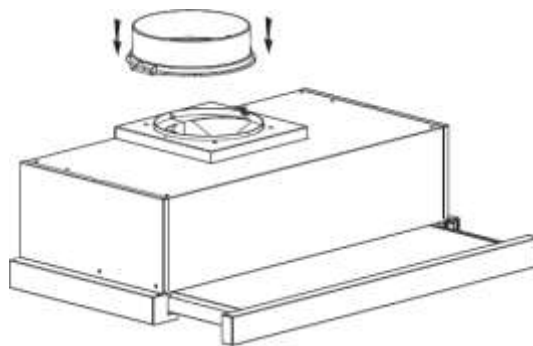
2. Die L-Halterung mit zwei Schrauben (4 x 10 mm) oben an der Haube anbringen.



- Die Abzugshaube wird mit 4 Schrauben (4 x 30 mm) und Wandsteckern an der Wand montiert. Die Abzugshaube mit 2 Schrauben (4 x 30 mm) und Dübeln mit ihrer Rückseite an der Wand anbringen. Dann die Abzugshaube mit 2 Schrauben (4 x 30 mm) und Wandsteckern durch die kleine L-Halterung hindurch an der Wand befestigen.

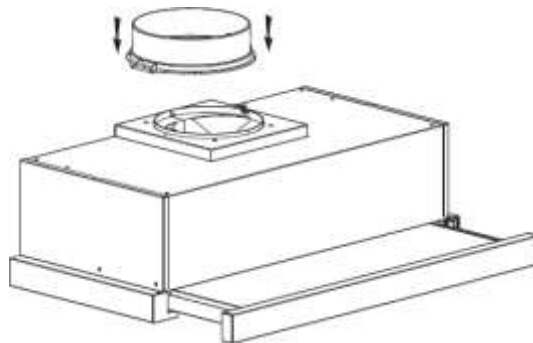


- Befestigen Sie das Einwegeventil an der Abluftleitung der Dunstabzugshaube.

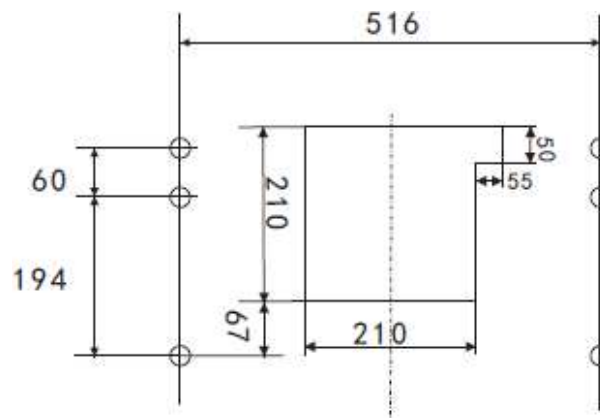


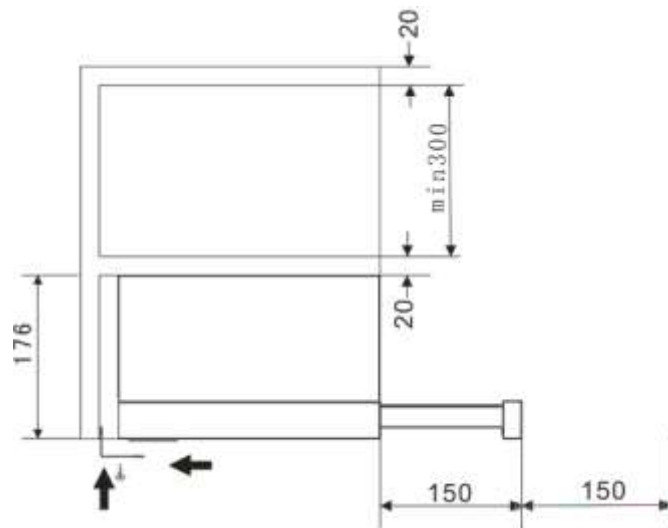
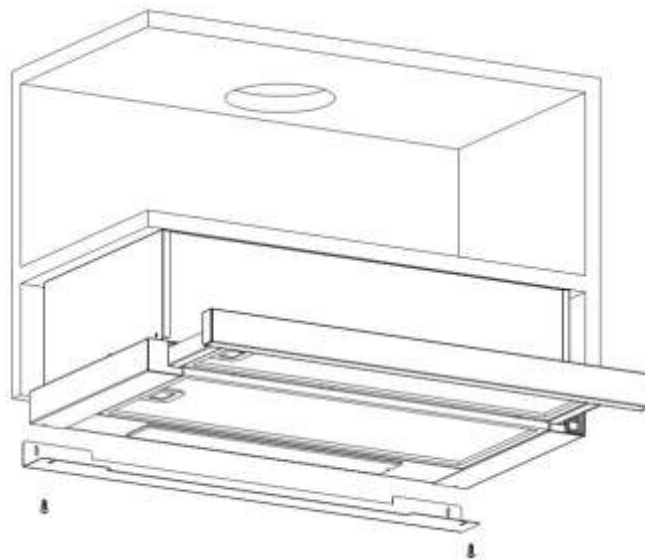
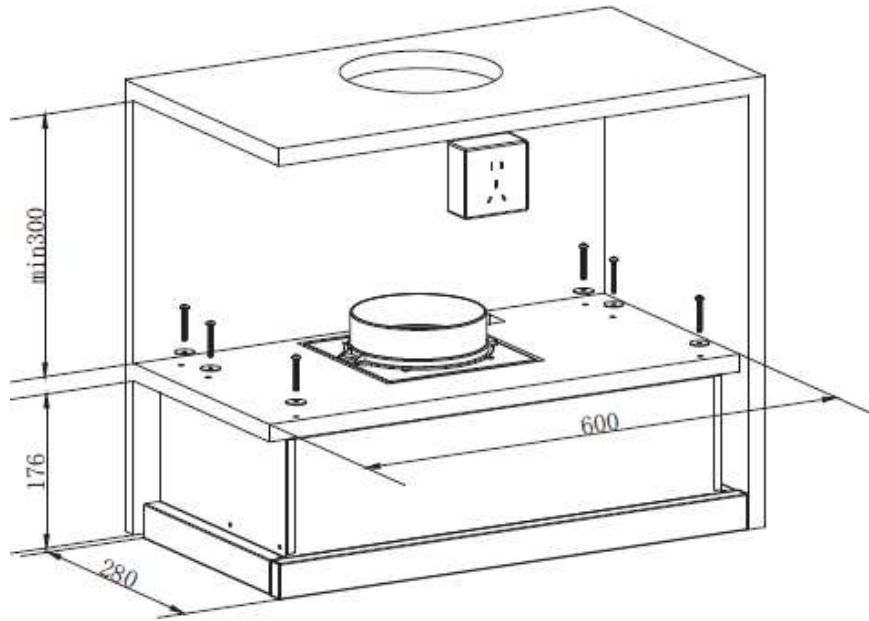
## INSTALLATION (Schrankmontage)

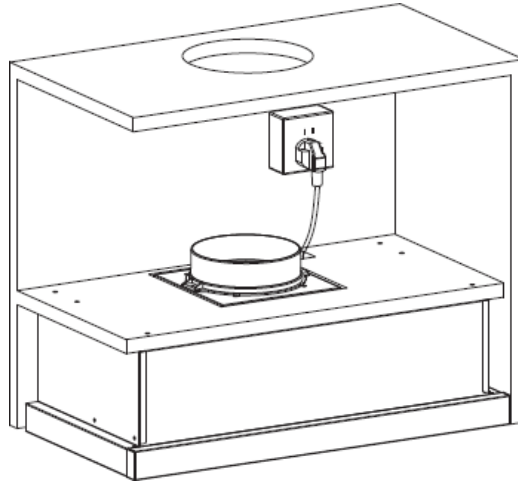
- Befestigen Sie das Einwegeventil an der Abluftleitung der Dunstabzugshaube.




- Montieren Sie die Abzugshaube mit 6 Schrauben (4 x 35 mm) und Unterlegscheiben am Schrank.





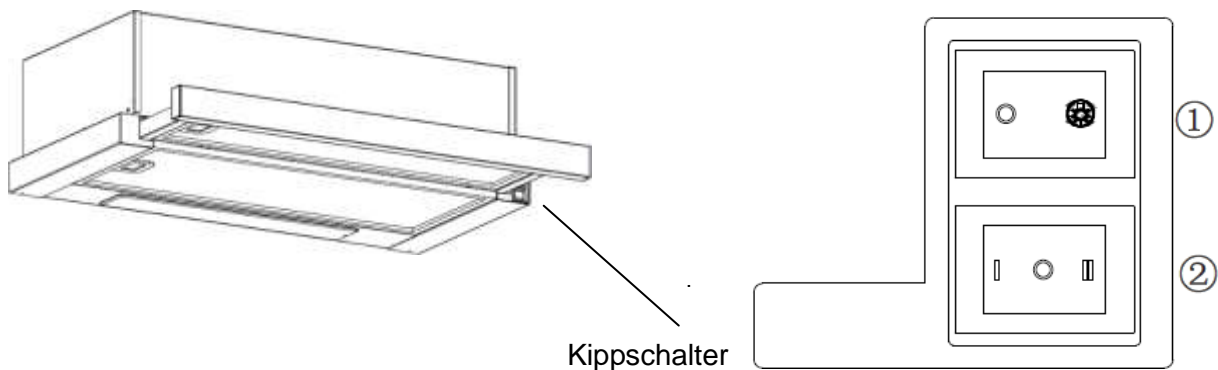


Wenn zwischen Wand und Dunstabzugshaube ein Spalt ist, können Sie die L-Halterung mit zwei Schrauben (3 x 12 mm) unten an der Abzugshaube installieren. Die Installation der L-Halterung ist optional. Hinweis: Das Flexrohr ist nicht im Lieferumfang des Produktes enthalten.

<p><b>WARNUNG</b></p> 	<ul style="list-style-type: none"> <li>➤ Aus Sicherheitsgründen verwenden Sie bitte nur die gleiche Größe der Befestigungs- oder Montageschrauben gemäß Angaben in dieser Bedienungsanleitung.</li> <li>➤ Wenn Schrauben oder Befestigungen benutzt werden, die nicht den Angaben dieser Anleitung entsprechen, kann dies zu elektrischen Gefahren führen.</li> </ul>
---	---

## Erste Nutzung Ihrer Abzugshaube

### ***Kippschalter***



1. Stecken Sie den Netzstecker in die Steckdose.
2. Wenn Sie Schalter ① auf X stellen; leuchtet die Lampe ; wenn Sie Schalter ① auf „0“ stellen, erlischt die Lampe.

3. Wenn Sie Schalter ② auf „I“ oder „II“ stellen, läuft der Motor mit zwei Drehzahlen (niedrig bzw. hoch); stellen Sie den Schalter auf „0“, wird der Motor ausgeschaltet.
4. Die Stromversorgung wird verbunden, wenn Sie die Frontplatte herausziehen. Umgekehrt wird die Stromversorgung automatisch abgeschaltet.

## **FEHLERBEHEBUNG**

<b>Störung</b>	<b>Mögliche Ursache</b>	<b>Lösung</b>
Die Leuchte geht an, aber der Motor dreht nicht	Lüfterschalter ausgeschaltet	Wählen Sie eine Lüfterschalterposition aus.
	Lüfterschalter defekt	Setzen Sie sich mit dem Kundendienst in Verbindung.
	Motor defekt	Setzen Sie sich mit dem Kundendienst in Verbindung.
Licht funktioniert nicht, Motor funktioniert nicht	Haussicherungen durchgebrannt	Sicherungen rückstellen/austauschen.
	Netzkabel lose oder getrennt	Schließen Sie das Kabel wieder korrekt an die Steckdose an. Schalten Sie die Stromversorgung ein.
Ölleckage	Einwegventil und Auslass sind nicht dicht verschlossen	Demontieren Sie das Einwegventil und dichten Sie es mit Dichtmittel ab.
	Leckage durch den Anschluss an den Abzug oder die Abdeckung	Nehmen Sie den Abzug ab und dichten Sie ihn ab.
Beleuchtung funktioniert nicht	Durchgebrannte oder defekte Glühbirnen	Ersetzen Sie die Glühbirnen wie in dieser Anleitung beschrieben.
Ungenügende Abzugsleistung	Der Abstand zwischen Dunstabzugshaube und Gasherd ist zu groß	Setzen Sie die Abzugshaube wieder in den richtigen Abstand.
Die Abzugshaube ist geneigt	Die Befestigungsschraube ist nicht genügend festgezogen	Ziehen Sie die Halterschraube fest und stellen Sie sie waagrecht.

### **HINWEIS:**

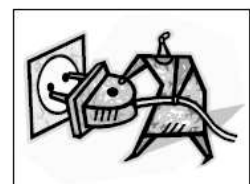


Alle Elektroreparaturen an diesem Gerät müssen gemäß Gesetzgebung auf Kommunal-, Landes- und Bundesebene erfolgen. Wenden Sie sich im Zweifelsfall an den Kundendienst, bevor Sie eine der o. g. Maßnahmen durchführen. Trennen Sie das Gerät stets vom Stromnetz, wenn Sie es öffnen.

## **WARTUNG UND REINIGUNG**

### **Vorsicht:**

- Vor Wartungs- oder Reinigungsarbeiten muss die Abzugshaube vom Stromnetz getrennt werden. Achten Sie darauf, dass die Abzugshaube ausgeschaltet und der Stecker von der Steckdose gezogen ist.
- Die Außenflächen sind kratzer- und abrasionsanfällig. Beachten Sie bitte die Hinweise für die Reinigung, um Schäden zu vermeiden.



## ALLGEMEINES

Reinigungs- und Wartungsmaßnahmen stets bei kaltem Gerät durchführen, dies gilt besonders für das Reinigen. Es dürfen keine alkalischen oder sauren Substanzen (Zitronensaft, Essig usw.) auf die Oberflächen gelangen.

## EDELSTAHL

Edelstahl muss regelmäßig (z.B. wöchentlich) gereinigt werden, um eine lange Lebensdauer zu gewährleisten. Mit einem sauberen, weichen Tuch trocknen. Es kann eine spezielle Reinigungsflüssigkeit für Edelstahl verwendet werden.

### HINWEIS:

Stellen Sie sicher, dass Sie in der gleichen Richtung der Narbung des Edelstahls wischen, um zu verhindern, dass hässliche, kreuzende Kratzspuren entstehen.

## OBERFLÄCHE DES BEDIENFELDS

Das integrierte Bedienfeld kann mit warmer Seifenlauge gereinigt werden. Vergewissern Sie sich vor der Reinigung, dass das Tuch sauber und gut ausgerungen ist. Verwenden Sie ein trockenes, weiches Tuch, um überschüssige Feuchtigkeit nach der Reinigung zu entfernen.

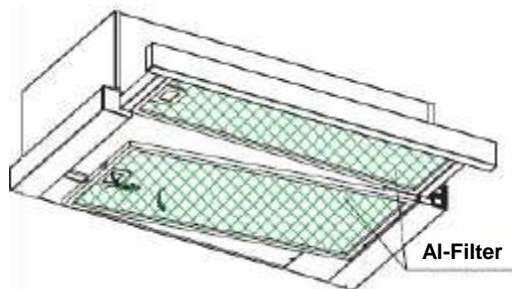
## Wichtig

Verwenden Sie neutrale Reinigungsmittel und vermeiden Sie die Verwendung von scharfen Reinigungschemikalien, starken Haushaltsreinigern oder scheuernden Produkten, da dies das Erscheinungsbild des Geräts beeinträchtigt und möglicherweise die am Bedienfeld abgedruckten Symbole entfernt. Unter diesen Umständen verfällt die Herstellergarantie.

## FETTFILTER

Die Filter können von Hand gereinigt werden. Legen Sie sie ca. 3 Minuten in warmes Wasser mit einem fettlöslichen Reinigungsmittel und bürsten Sie sie dann vorsichtig mit einer weichen Bürste ab. Üben Sie nicht zu viel Druck aus, um Beschädigungen zu vermeiden. (Lassen Sie die Filter natürlich trocknen, vermeiden Sie direkte Sonneneinstrahlung).

Die Filter sollten getrennt von Geschirr und Küchenutensilien gereinigt werden. Es ist ratsam, kein Klarspülmittel zu verwenden.



## INSTALLATION DER FETTFILTER

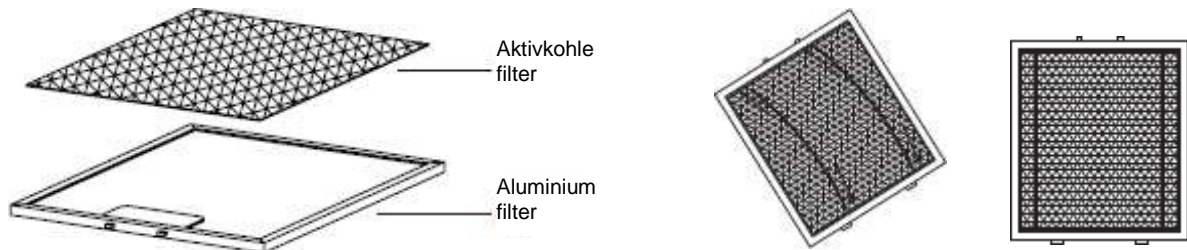
- Die Installation erfolgt in den folgenden vier Schritten:
  - Stecken Sie den Filter in die Schlitze auf der Rückseite der Haube.
  - Drücken Sie die Taste am Griff des Filters.
  - Lassen Sie den Griff los, sobald der Filter in eine Ruheposition springt.
  - Wiederholen Sie den Vorgang, bis alle Filter installiert sind.



## AKTIVKOHLEFILTER

Aktivkohlefilter können zur Geruchsbindung eingesetzt werden. In der Regel sollte der Aktivkohlefilter je nach Kochgewohnheit nach drei oder sechs Monaten ausgetauscht werden. Die Installation des Aktivkohlefilters erfolgt wie folgt.

1. Setzen Sie den Aktivkohlefilter in die Rückseite des Aluminiumfilters ein.
2. Führen Sie den Stahldraht (einer pro Seite) in den Rahmen des Aluminiumfilters ein. Sie müssen ihn biegen, um ihn in das andere Rahmenende einsetzen zu können.
3. Vergewissern Sie sich, dass der Stahldraht den Aktivkohlefilter auf dem Aluminiumfilter fixiert.



### HINWEIS:

- Vergewissern Sie sich, dass der Filter sicher verriegelt ist. Andernfalls könnte er sich lösen und zu einer Gefahr werden.
- Bei angeschlossenem Aktivkohlefilter wird die Saugleistung reduziert.

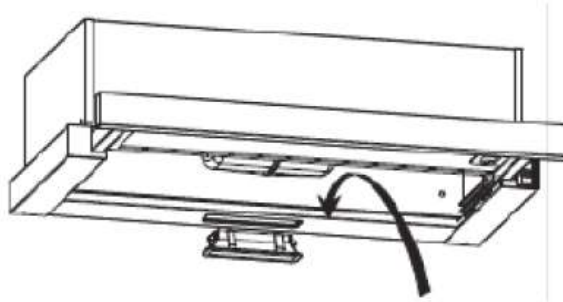
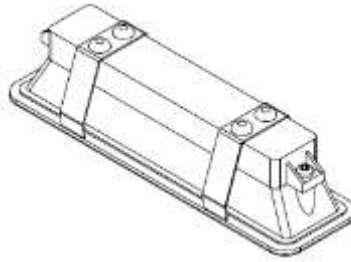
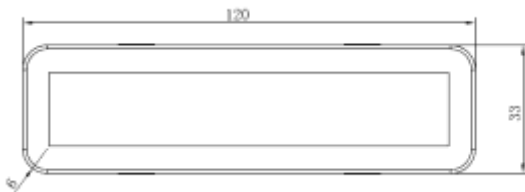
## GLÜHLAMPENWECHSEL

<p><b>Wichtig!</b></p>	<ul style="list-style-type: none"><li>✧ Die Glühlampe muss vom Hersteller, seinem Servicepartner oder ähnlich qualifizierten Stellen ausgetauscht werden.</li><li>✧ Schalten Sie immer die Stromzufuhr ab, bevor Sie Arbeiten am Gerät durchführen. Achten Sie beim Umgang mit der Glühbirne darauf, dass sie vollständig abgekühlt ist, bevor Sie sie direkt mit den Händen berühren.</li><li>✧ Halten Sie die Kugeln beim Umgang mit einem Tuch oder Handschuhen fest, um sicherzustellen, dass die Haut nicht mit der Kugel in Berührung kommt, da dies die Lebensdauer der Kugel verringern kann.</li></ul>
------------------------	---

### Auswechseln des Leuchtmittels

Lösen Sie mit dem Schraubendreher die selbstschneidende Schraube ST4\*8MM (2 Stück) vom Beleuchtungspaneel und nehmen Sie den Lampensockel heraus. Öffnen Sie den Klemmenkasten, der mit dem Kabel verbunden ist, trennen Sie den Kabelstecker und ersetzen Sie die Lampe.

- ILCOS D-Code für diese Lampe: DBS-2.5/65-H-120/33
- LED-Module - Rechteckleuchte
- Maximale Wattleistung: 2,5 W
- Spannungsbereich: AC 220-240V
- Abmessungen:



## **UMWELTSCHUTZ:**



Dieses Produkt ist mit dem Symbol für die Getrenntentsorgung von Elektro- und Elektronik-Altgeräten gekennzeichnet. Das bedeutet, dass dieses Produkt nicht über den Hausmüll entsorgt werden darf, sondern durch eine spezifische Entsorgungsstelle gemäß Richtlinie 2012/19/EU verschrottet werden muss. Elektro- und Elektronik-Altgeräte sind aufgrund bestimmter darin enthaltener Stoffe potenziell für die Umwelt und die menschliche Gesundheit gefährlich. Weitere Informationen erhalten Sie bei den jeweiligen lokal oder regional zuständigen Behörden.

## **HINWEIS:**

Im Folgenden wird gezeigt, wie die Gesamtumweltbelastung (z.B. Energieverbrauch) durch den Kochprozess reduziert werden kann.

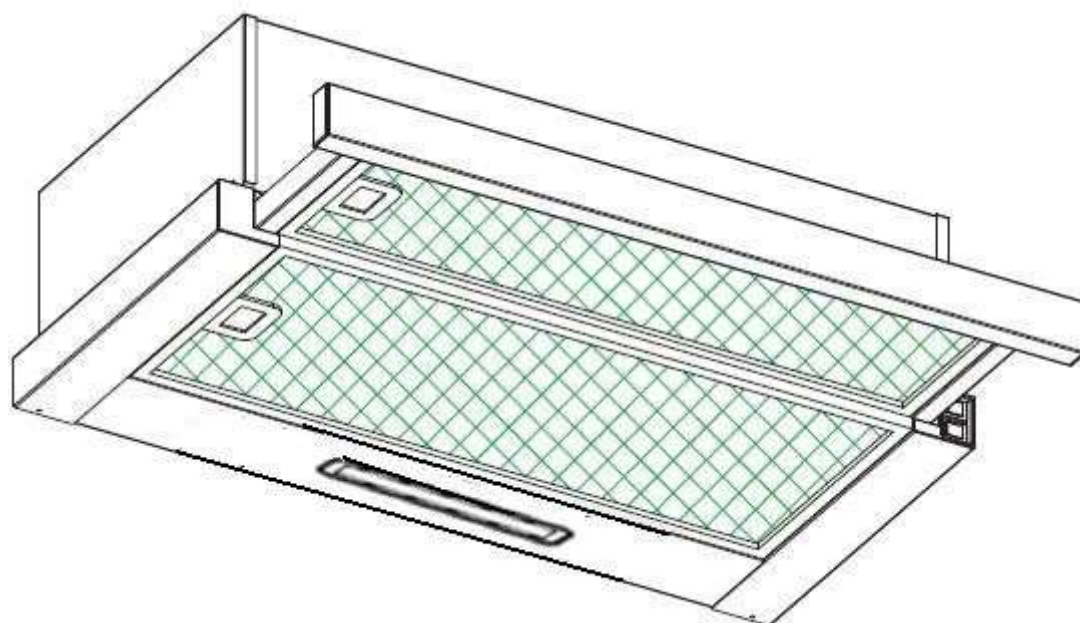
- (1) Installieren Sie die Abzugshaube an einem geeigneten Ort mit guter Belüftung.
- (2) Reinigen Sie die Abzugshaube regelmäßig, um Ihre Atemwege zu schonen.
- (3) Denken Sie daran, die Beleuchtung der Abzugshaube nach dem Kochen auszuschalten.
- (4) Denken Sie daran, die Abzugshaube nach dem Kochen auszuschalten.

## **INFORMATIONEN ZUR DEMONTAGE**

Demontieren Sie das Gerät nur gemäß Angaben in der Bedienungsanleitung. Das Gerät sollte nur von Fachleuten demontiert werden. Am Ende der Lebensdauer sollte das Gerät nicht über den Hausmüll entsorgt werden. Erkundigen Sie sich bei Ihrer örtlichen Behörde oder Ihrem Händler über die geltenden Vorschriften für die Entsorgung.

# Cappa

## Manuale di istruzioni



# Indice

1.....	Avvertenza di sicurezza
2.....	Installazione
3.....	Inizio dell'utilizzo della cappa
4.....	Qualcosa non funziona?
5.....	Manutenzione e pulizia
6.....	Protezione ambientale

## ISTRUZIONI DI SICUREZZA

Questo manuale spiega il corretto montaggio e l'utilizzo della cappa, si prega di leggerlo attentamente anche se siete già abituati all'utilizzo di questo prodotto. Tenere il manuale a portata di mano per consultarlo all'occorrenza.

Queste istruzioni saranno disponibili anche in un formato alternativo, ad esempio su un sito web o, su richiesta dell'utente, in un formato quale un DVD.

### Procedure da evitare:

- Non cercare di utilizzare la cappa senza i filtri per grasso oppure se i filtri sono eccessivamente sporchi di grasso!
- Non montare la cappa sopra ad un fornello con grill molto alto.
- Non lasciare pentole con olio bollente incustodite durante l'utilizzo in quanto i grassi o gli oli surriscaldati possono incendiarsi.
- Non lasciare mai fiamme libere sotto la cappa.



- Se la cappa è danneggiata, non cercare di utilizzarla.
- Non effettuare cotture flambé sotto la cappa.
- **ATTENZIONE:** Durante l'uso degli elettrodomestici di cottura, le parti accessibili possono essere molto calde.
- La distanza minima tra la superficie di supporto dei recipienti sul piano di cottura e la parte inferiore della cappa aspirante, quando la cappa aspirante è posta sopra un elettrodomestico a gas, deve essere almeno di 65 cm.
- L'aria non deve essere scaricata in un camino usato per i fumi da elettrodomestici con combustione a gas o altri combustibili.



### Procedure da effettuare sempre:

- **Importante!** Staccare sempre l'alimentazione elettrica dalla rete durante le attività di installazione e manutenzione, quale ad esempio la sostituzione delle lampadine.
- La cappa deve essere montata in accordo con le istruzioni di installazione e rispettando tutte le misure indicate.
- Tutti i lavori di installazione devono essere effettuati da operatori competenti o da elettricisti qualificati.
- Si prega di smaltire in modo appropriato il materiale di imballaggio. È pericoloso per i bambini.
- Prestare attenzione agli spigoli vivi all'interno della cappa, in particolare durante l'installazione e la pulizia.
- Quando la cappa aspirante si trova al di sopra di un elettrodomestico a gas, la distanza minima tra la superficie di supporto dei recipienti di cottura sul piano di cottura e la parte inferiore della cappa aspirante deve essere la seguente:

Fornelli a gas:	75 cm
Fornelli elettrici:	65 cm
Fornelli a carbone o gasolio:	75 cm
- Accertarsi che le tubazioni non abbiano curve più strette di 90 gradi in quanto ciò riduce la resa della cappa.
- **Avvertenza:** Se le viti o il dispositivo di fissaggio non sono installati seguendo queste istruzioni potrebbero verificarsi rischi elettrici
- **Avvertenza:** Prima di accedere ai morsetti, tutti i circuiti di alimentazione devono essere staccati.

## Procedure da effettuare sempre:

- Mettere sempre i coperchi su pentole e tegami quando si cuoce su un fornello a gas.
- In modalità di estrazione, l'aria all'interno dell'ambiente viene aspirata dalla cappa. Accertarsi che siano adottate misure adeguate per la ventilazione. La cappa toglie gli odori dall'ambiente ma non il vapore.
- La cappa è progettata per un uso esclusivamente domestico.



- Se il cavo di alimentazione dell'elettrodomestico dovesse essere danneggiato, farlo sostituire dal produttore, dal suo servizio tecnico o da un tecnico qualificato, per evitare rischi.
- L'elettrodomestico può essere utilizzato da bambini di età superiore a 8 anni e da persone con ridotte capacità fisiche, sensoriali o mentali, oppure prive di esperienza e conoscenza, se supervisionate o istruite riguardo all'uso dell'elettrodomestico in sicurezza, e se comprendono i rischi che derivano dall'uso dello stesso. I bambini non devono giocare con l'elettrodomestico. La pulizia e la manutenzione da parte dell'utente non possono essere effettuate da bambini senza supervisione.



- Avvertenza: Prima di accedere ai morsetti, tutti i circuiti di alimentazione devono essere staccati.

## Procedure da effettuare sempre:

- **Attenzione:** L'elettrodomestico e le sue parti accessibili possono diventare calde durante l'uso. Fare attenzione a non toccare le parti calde. I bambini di età inferiore a 8 anni devono sempre rimanere a distanza se non costantemente supervisionati.
- Deve esserci un'adeguata ventilazione dell'ambiente quando si utilizza la cappa insieme ad elettrodomestici con combustione a gas o altri combustibili.
- Se la pulizia non viene effettuata in accordo con le istruzioni, sussiste il rischio di incendi
- È necessario rispettare le normative relative allo scarico dell'aria.
- Pulire con regolarità l'elettrodomestico seguendo il metodo descritto nel capitolo **MANUTENZIONE**.
- Per ragioni di sicurezza, utilizzare esclusivamente viti di fissaggio o di montaggio con le misure consigliate sul manuale di istruzioni.
- Per quanto riguarda i dettagli sul metodo e la frequenza della pulizia, fare riferimento alla sezione relativa a pulizia e manutenzione sul manuale di istruzioni.
- La pulizia e la manutenzione da parte dell'utente non possono essere effettuate da bambini senza supervisione.
- Quando la cappa e le apparecchiature alimentate da fonti diverse dall'energia elettrica funzionano simultaneamente, la pressione negativa nell'ambiente non deve superare i 4 Pa ( $4 \times 10^{-5}$  bar).
- **AVVERTENZA:** Pericolo di incendio: non appoggiare nulla sulle superfici di cottura.
- Si sconsiglia l'utilizzo di una pulitrice a vapore.
- **NON** cercare MAI di spegnere un incendio con acqua, bensì spegnere l'elettrodomestico e coprire la fiamma con un coperchio o una coperta antifiama.

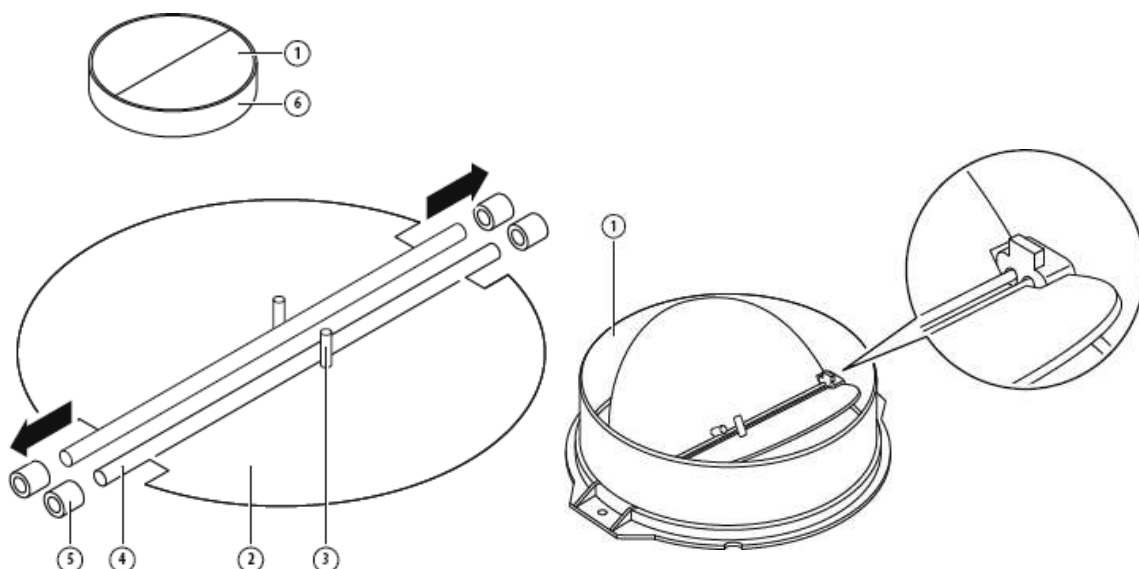
## **INSTALLAZIONE (SCARICO ALL'ESTERNO)**

### **MONTAGGIO DELL'ALETTA A V (optional)**

Se la cappa non ha già montata l'aletta a V 1, è necessario montare le due metà sul corpo. Le immagini mostrano solo un esempio di come montare l'aletta a V, l'uscita può essere diversa a seconda dei diversi modelli e configurazioni.

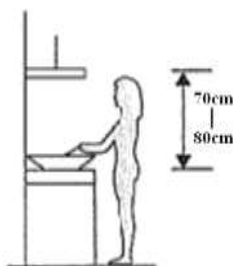
Per montare la fascetta a V 1, procedere come segue:

- Montare le due metà 2 nel corpo 6
- un perno 3 deve essere rivolto verso l'alto;
- il pernetto 4 deve essere inserito nei fori 5 sul corpo;
- ripetere tutte le operazioni per l'altra metà

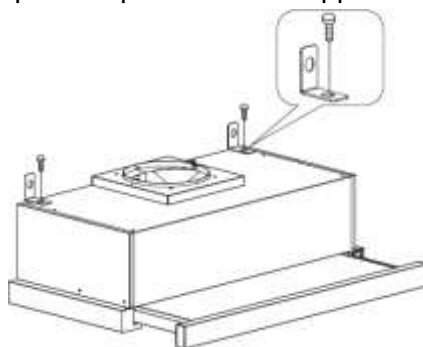


### **INSTALLAZIONE (montaggio a parete)**

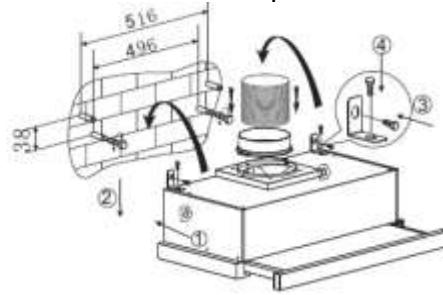
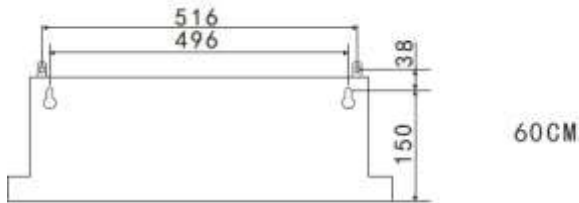
1. Decidere la posizione dei fori per il fissaggio della cappa.



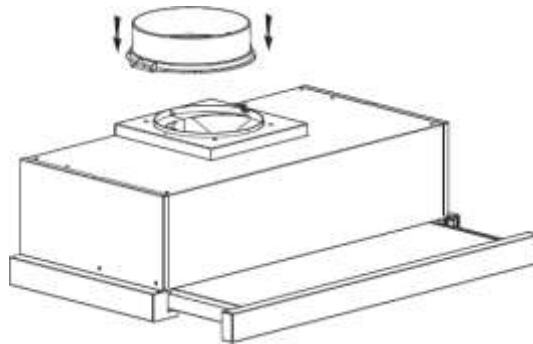
2. Installare la staffa a L sulla parte superiore della cappa con due viti (4 mm x 10 mm)



- La cappa è fissata a parete con 4 viti (4 mm x 30 mm) e tasselli. Montare la cappa sulla parete sul retro della cappa con 2 viti (4 mm x 30 mm) e tasselli. Quindi fissare la cappa alla parete con 2 viti (4 mm x 30 mm) e tasselli attraverso la staffa a L piccola.

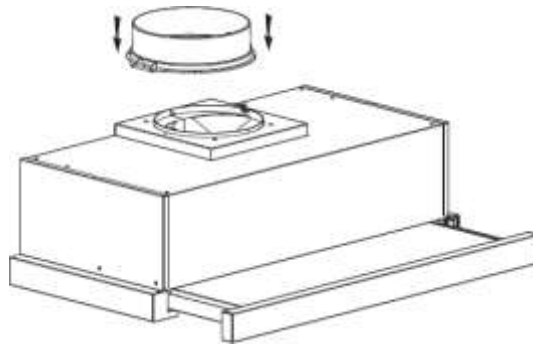


- Fissare la valvola unidirezionale all'uscita dell'aria della cappa.

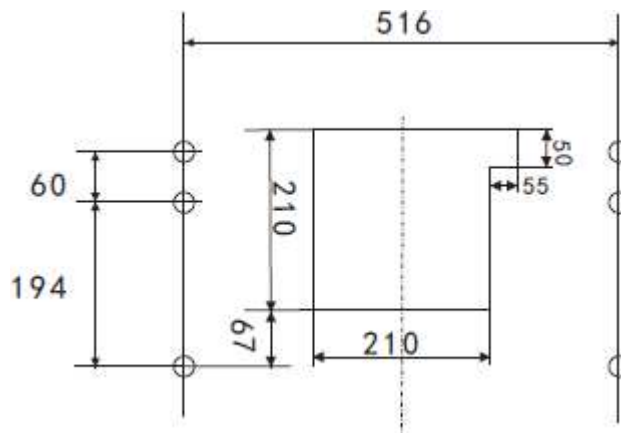


### INSTALLAZIONE (montaggio su mobiletto)

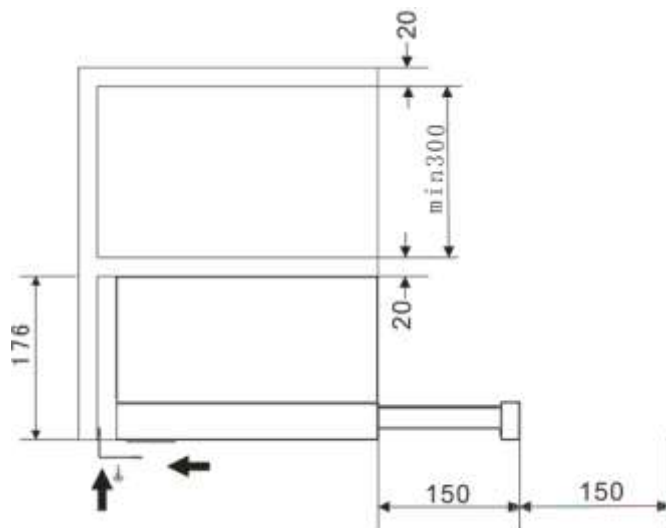
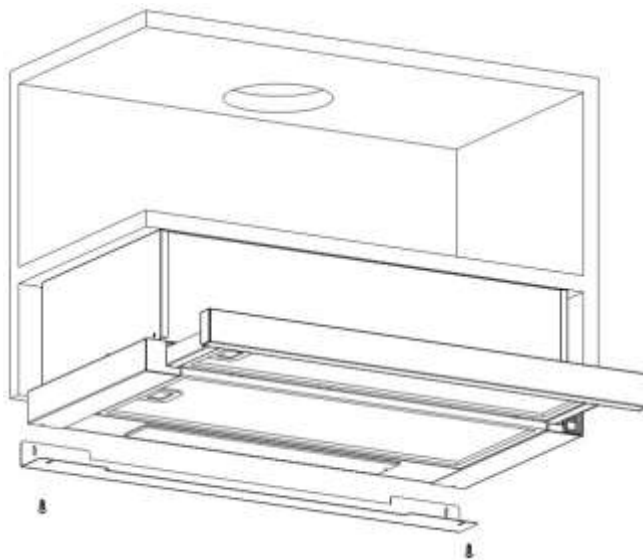
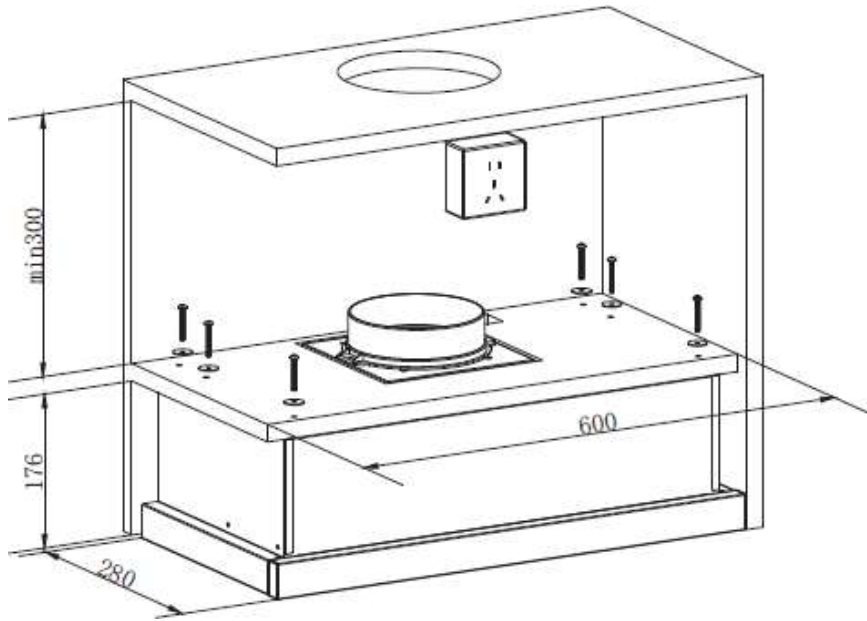
- Fissare la valvola unidirezionale all'uscita dell'aria della cappa.

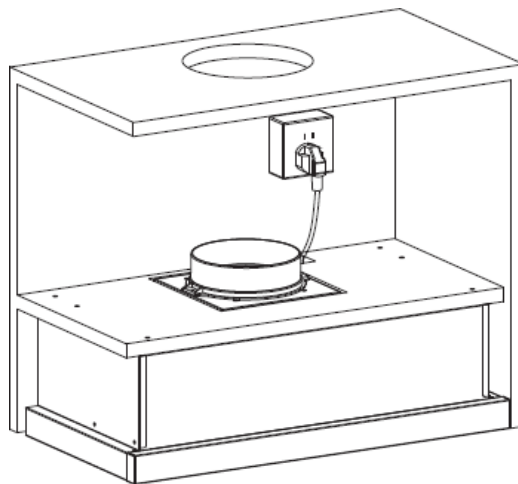


- Montare la cappa sul mobiletto con 6 viti (4x35 mm) e rondelle piane.








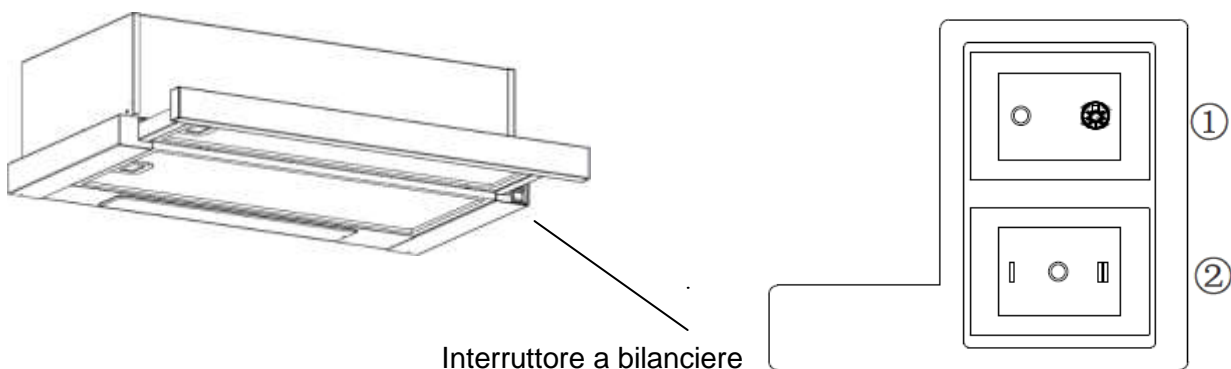


In caso di intercapedine tra la parete e la cappa, è possibile montare la staffa a L sulla parte inferiore della cappa con due viti (3 x 12 mm).  
L'installazione della staffa ad L è opzionale. Nota: Il tubo di espansione non è incluso nel prodotto.

<p><b>ATTENZIONE</b></p> 	<ul style="list-style-type: none"> <li>➤ Per ragioni di sicurezza, utilizzare esclusivamente viti di fissaggio o di montaggio con le misure consigliate sul manuale di istruzioni.</li> <li>➤ Se le viti o il dispositivo di fissaggio non sono installati seguendo queste istruzioni potrebbero verificarsi rischi elettrici.</li> </ul>
--	---

## **Inizio dell'utilizzo della cappa**

### ***Interruttore a bilanciere***



1. Inserire la spina di alimentazione nella presa.
2. Premere l'interruttore ① su x, la lampada sarà accesa; premere l'interruttore ① su "0", la lampada si spegne.

3. Premere l'interruttore ② su "I, II", il motore sarà su "basso, alto" due velocità, premere su "0", il motore sarà spento.
4. L'alimentazione sarà collegata quando si estrae il pannello frontale. Viceversa, l'alimentazione verrà automaticamente scollegata.

## **GUIDA ALL'INDIVIDUAZIONE DEI PROBLEMI**

<b>Anomalia</b>	<b>Possibile causa</b>	<b>Cosa fare</b>
La luce è accesa, ma il motore non funziona	Interruttore ventola spento	Selezionare una posizione dell'interruttore della ventola.
	Interruttore della ventola difettoso	Contattare un centro assistenziale.
	Motore guasto	Contattare un centro assistenziale.
La luce non si accende, il motore non funziona	Fusibili dell'impianto domestico saltati	Ripristinare/sostituire i fusibili.
	Cavo di alimentazione allentato o staccato	Ricollegare il cavo alla presa di alimentazione. Attivare la presa di alimentazione.
Perdita di olio	La valvola unidirezionale e lo scarico non sono a tenuta	Smontare la valvola unidirezionale e applicare sigillante.
	Perdita dal raccordo della canna fumaria e dalla protezione	Togliere la canna fumaria e sigillare.
Le luci non funzionano	Lampadine rotte/guaste	Sostituire le lampadine come riportato in questo manuale di istruzioni.
Aspirazione insufficiente	La distanza tra la cappa e il piano di cottura a gas è eccessiva	Rimontare la cappa alla distanza corretta.
La cappa è inclinata	La vite di fissaggio non è serrata a fondo	Serrare la vite di supporto e rendere la cappa orizzontale.

### **NOTA:**

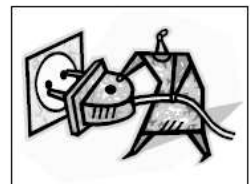


Tutte le riparazioni elettriche a questo elettrodomestico devono rispettare le normative locali, statali e federali. Si prega di contattare il centro di assistenza in caso di dubbi prima di intraprendere qualsiasi attività correttiva. Staccare sempre dalla rete elettrica l'elettrodomestico quando è necessario aprirlo.

## **MANUTENZIONE E PULIZIA**

### **Attenzione:**

- Prima di qualsiasi attività di manutenzione o pulizia, la cappa deve essere staccata dall'alimentazione principale. Accertarsi che la cappa sia spenta nella presa a muro e che la spina sia stata tolta.
- Le superfici esterne sono sensibili a graffi e abrasioni, pertanto si prega di rispettare le istruzioni di pulizia per essere certi di ottenere il miglior risultato possibile senza danni.



## AVVERTENZE GENERALI

La pulizia e la manutenzione devono essere effettuate con l'elettrodomestico freddo, in particolare le attività di pulizia. Evitare di lasciare sostanze alcaline o acide (succo di limone, aceto, ecc...) sulle superfici.

## ACCIAIO INOSSIDABILE

L'acciaio inossidabile deve essere pulito con regolarità (cioè una volta alla settimana) per garantirne una lunga durata. Asciugare con un panno soffice pulito. Si può utilizzare un detergente liquido specializzato per acciaio inossidabile.

### NOTA:

Accertarsi di pulire lungo la venatura dell'acciaio inossidabile per evitare graffi incrociati superficiali che sono antiestetici.

## SUPERFICIE DEL PANNELLO COMANDI

Il pannello comandi ad incastro può essere pulito con acqua tiepida e sapone. Accertarsi che il panno sia pulito e ben strizzato prima di iniziare la pulizia. Utilizzare un panno morbido e asciutto per togliere l'eventuale acqua lasciata dopo la pulizia.

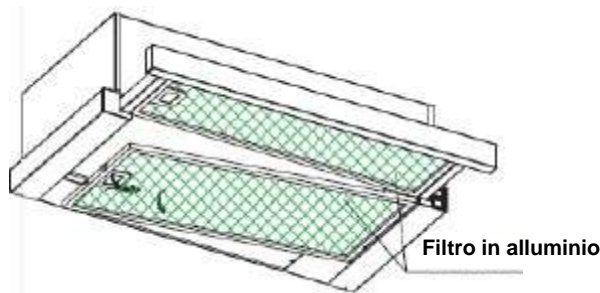
## Importante

Utilizzare detersivi neutri ed evitare prodotti chimici potenti, detersivi domestici aggressivi o prodotti contenenti sostanze abrasive, che potrebbero danneggiare l'estetica superficiale del prodotto e rischiare di cancellare le grafiche sul pannello di controllo, annullando così la garanzia del produttore.

## FILTRI A RETE PER GRASSI

I filtri a rete possono essere puliti manualmente. Tenerli in ammollo in acqua e detersivo sciogli-grasso per circa 3 minuti, quindi strofinare delicatamente con una spazzola morbida. Non applicare una pressione eccessiva per evitare di danneggiarlo. (Lasciare asciugare naturalmente al riparo dalla luce diretta del sole)

I filtri devono essere lavati separatamente dalle stoviglie e dagli utensili da cucina. Si consiglia di non utilizzare il brillantante.



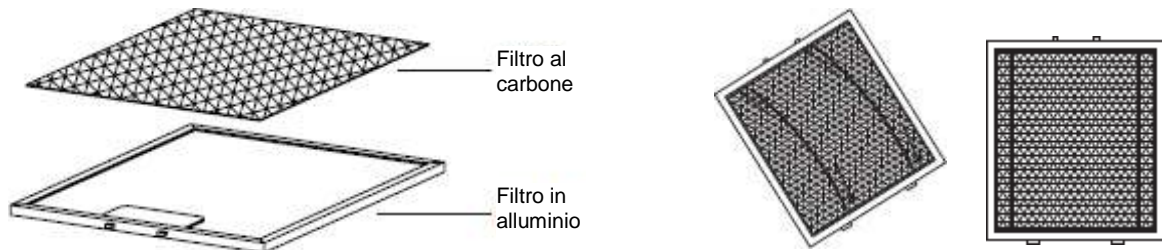
## MONTAGGIO DEI FILTRI A RETE PER GRASSI

- Per il montaggio dei filtri seguire le quattro fasi riportate qui di seguito.
- Disporre ad angolo il filtro nelle fessure nella parte posteriore della cappa.
- Premere il pulsante sull'impugnatura del filtro.
- Rilasciare l'impugnatura quando il filtro si inserisce a fondo.
- Ripetere la procedura per il montaggio di tutti i filtri.

## FILTRO AL CARBONE

Il filtro al carbone attivo si utilizza per filtrare gli odori. Normalmente il filtro al carbone attivo si deve sostituire ogni tre o sei mesi a seconda delle abitudini di cottura. La procedura di montaggio del filtro al carbone attivo viene riportata qui di seguito.


1. Mettere il filtro al carbone sul lato posteriore del filtro in alluminio.
2. Inserire il filo d'acciaio nel telaio del filtro in alluminio, uno per lato. È necessario piegarlo per inserirlo nell'altra estremità del telaio.
3. Assicurarsi che il filo d'acciaio fissi il filtro al carbone sul filtro in alluminio.



### NOTA:

- Accertarsi che il filtro sia fissato saldamente. In caso contrario, il filtro potrebbe staccarsi e provocare danni.
- Quando il filtro al carbone attivo è collegato, la potenza di aspirazione diminuisce.

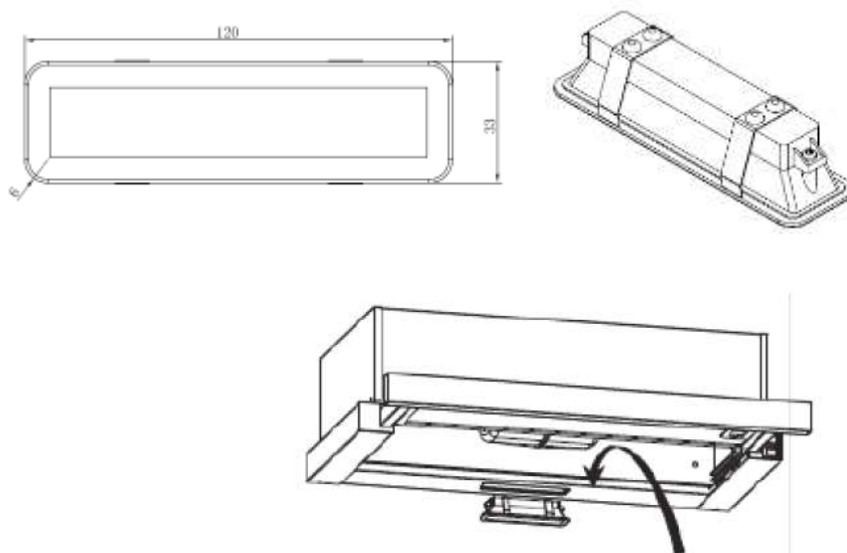
## SOSTITUZIONE DELLE LAMPADINE

<p>Importante:</p> 	<ul style="list-style-type: none"><li>✧ La lampadina deve essere sostituita dal produttore, da un agente autorizzato o da personale parimenti qualificato.</li><li>✧ Spegnere sempre l'alimentazione elettrica prima di effettuare qualsiasi operazione sull'elettrodomestico. Durante la manipolazione delle lampadine, accertarsi che siano totalmente raffreddate prima di toccarle direttamente con le mani.</li><li>✧ Quando si maneggiano le lampadine, tenerle con un panno o guanti per essere certi che la traspirazione non entri in contatto con la lampadina, perché ciò potrebbe ridurre la durata della lampadina stessa.</li></ul>
--	---


### Sostituzione della luce

Utilizzare il cacciavite per allentare la vite autofilettante ST4\*8 mm (2 pezzi) dal pannello di illuminazione, estrarre il dispositivo di illuminazione. Aprire la morsettiera collegata con il cavo, scollegare il connettore del cavo e sostituire la lampada.

- Il codice ILCOS D per la lampada è: **DBS-2.5/65-H-120/33**
- Moduli a LED – lampadina rettangolare
- Max. potenza in W: 2,5 W
- Intervallo di tensione: ca 220-240 V
- Ingombri:



## **PROTEZIONE AMBIENTALE:**

	<p>Questo prodotto è contrassegnato con il simbolo relativo alla raccolta differenziata di apparecchiature elettroniche di scarto. Ciò significa che il prodotto non deve essere smaltito come rifiuto domestico ma tramite una raccolta differenziata, in accordo con la Direttiva 2012/19/UE. Sarà quindi riciclato o smantellato in modo tale da ridurre al minimo gli impatti sull'ambiente; i prodotti elettrici ed elettronici sono potenzialmente pericolosi per l'ambiente e la salute dell'uomo a causa della presenza di sostanze pericolose. Per ulteriori informazioni, si prega di rivolgersi alle autorità locali o regionali.</p>
--	--

### **NOTA:**

Qui di seguito viene indicato come ridurre l'impatto ambientale totale (ad esempio l'uso di energia) del processo di cottura.

- (1) Montare la cappa in un luogo adatto, con ventilazione efficiente.
- (2) Pulire con regolarità la cappa in modo da non ostruire il passaggio dell'aria.
- (3) Non dimenticarsi di spegnere la luce della cappa dopo la cottura.
- (4) Non dimenticarsi di spegnere la cappa dopo la cottura.

## **INFORMAZIONI SULLO SMALTIMENTO**

Non smantellare l'elettrodomestico con un metodo diverso da quello riportato sul manuale di istruzioni. L'elettrodomestico non può essere smantellato dall'utente. Al termine della vita utile, l'elettrodomestico non può essere smaltito con i rifiuti domestici. Contattare le Autorità Locali o il concessionario per ottenere informazioni relativamente al riciclo.